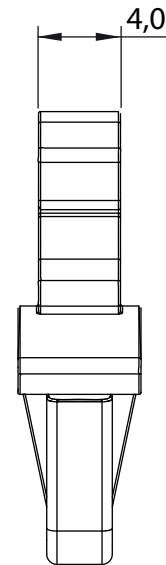
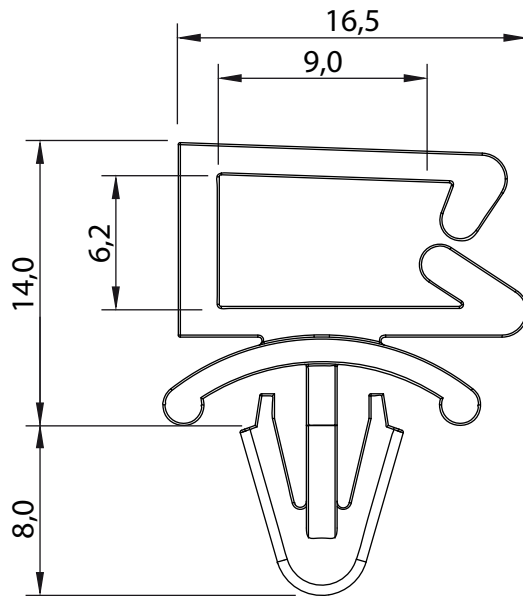
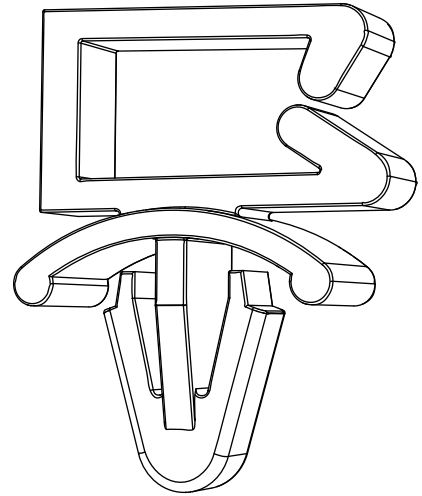


DIM.	TOL
5mm DOWN	±0.2
5~20mm	±0.3
20~40mm	±0.4
40~60mm	±0.5
60~100mm	±0.8
100mm UP	±1.0

REVISIONS			
REV	DESCRIPTION	DATE	BY



PANEL HOLE: Ø 6,5
THICKNESS: 0,8 -1,8



fastpoint		TITLE WIRE CLIP HOLE Ø 6,5		
		MATERIAL PA66 V2 UL94	DATE 17/05/2011	
		FINISH	DRAWN D.C.	
		COLOR NATURAL	CHECK	
PART NUMBER 0018AA00	DRAWING NUMBER 11.05.17.0018.0.E	UNLESS OTHERWISE SPECIFIED TOLERANCE SEE ABOVE		
SIZE A4	SCALE NTS	UNIT mm.	REV C	APPROVED