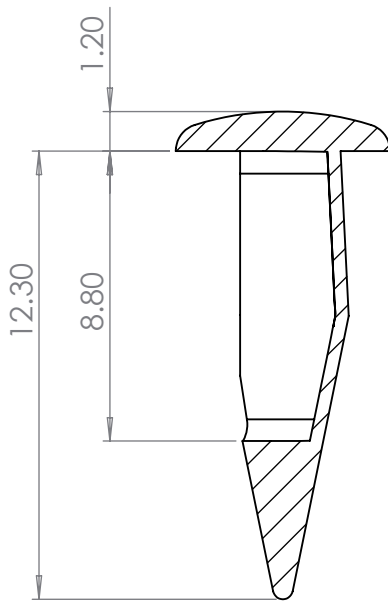
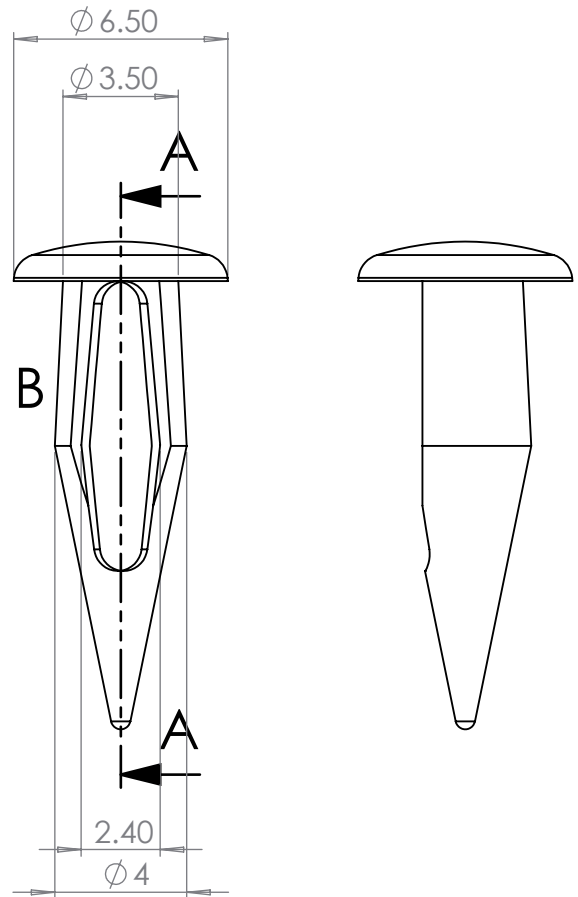



DIM.	TOL
5mm DOWN	±0.2
5~20mm	±0.3
20~40mm	±0.4
40~60mm	±0.5
60~100mm	±0.8
100mm UP	±1.0

REVISIONS			
REV	DESCRIPTION	DATE	BY



SECTION A-A



				TITLE CLIP	
				MATERIAL PA 66 V2 UL94	DATE 17/06/2015
PART NUMBER 0096AA00				DRAWN D.C.	
				DRAWING NUMBER 11.05.17.0096.0.E	
SIZE A4				COLOR NATURAL	
				CHECK	
SCALE NTS				UNLESS OTHERWISE SPECIFIED TOLERANCE	
				APPROVED	
UNIT mm.				REV C	