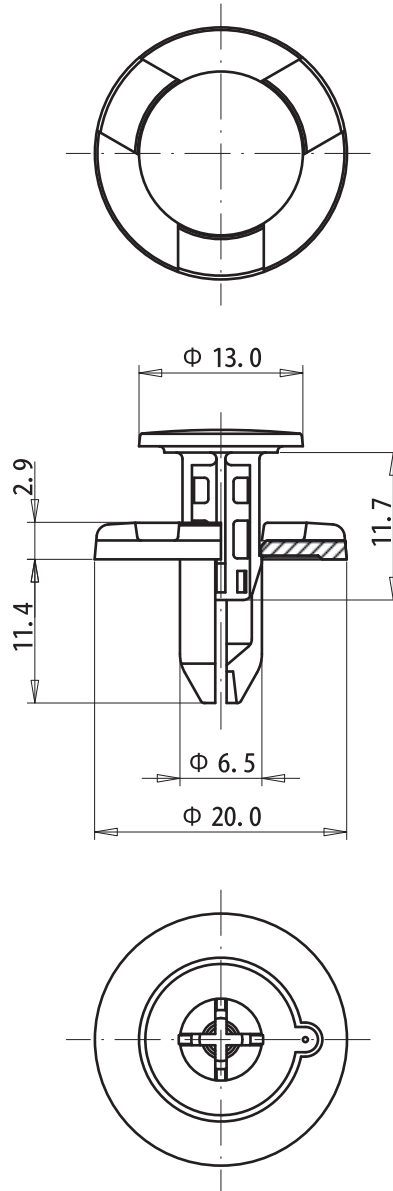



DIM.	TOL.
5mm DOWN	±0.2
5~20mm	±0.3
20~40mm	±0.4
40~60mm	±0.5
60~100mm	±0.8
100mm UP	±1.0

REVISIONS			
REV	DESCRIPTION	DATE	BY



Hole Diam: $\varnothing 7.0$
 Panel thickness: 4.0 - 6.5

				TITLE TURN RIVET	
				MATERIAL 1 POM UL94HB	DATE 15/09/2015
				MATERIAL 2	DRAWN S.P.
PART NUMBER 10521GA01		DRAWING NUMBER 15.09.15.10521.0.E		COLOR BLACK	
SIZE A4	SCALE 5:3	UNIT mm	REV A	UNLESS OTHERWISE SPECIFIED TOLERANCE SEE ABOVE	CHECK APPROVED