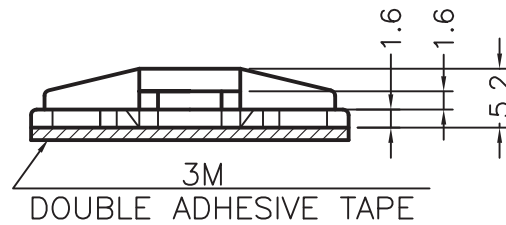
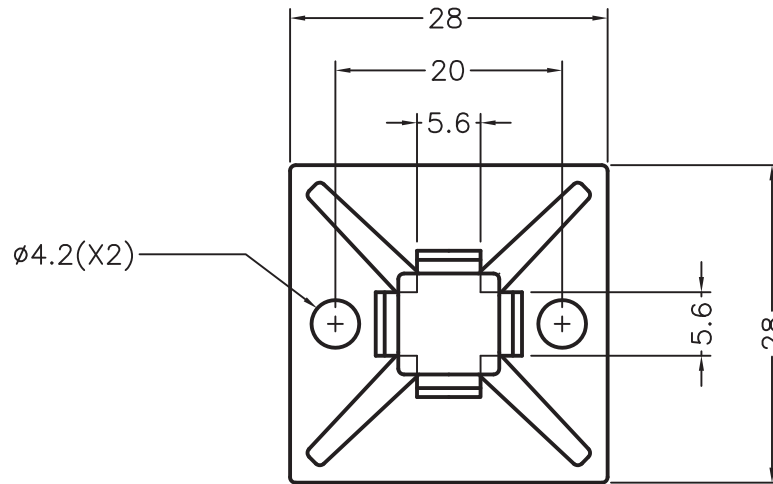


Dimensions	Tolerance
5mm DOWN	±0.2
5~20mm	±0.3
20~40mm	±0.4
40~60mm	±0.5
60~100mm	±0.8
100mm UP	±1.0



NOTE

1. The height is not include the releasing paper and adhesive tape's thickness.
2. The adhesive tape in cut by hand, it is normal if there is a not unified edge.

REV.	DESCRIPTION	DATE	TITLE: CABLE TIE MOUNT SELF ADHESIVE	DWG UNIT: MM
	MATERIAL: PA 66 (UL) 94 V-2		Modelled in RHINO 4.0	FILE: 09/12/14
	COLOUR: NATURAL		TOLLERANCES UNLESS NOTED	DwN:
			.XX= +/-010	ChkD:
			.XXX= +/-005	DT: 14.09.12.10555.E.0
			FRAC.= +/- 1/64	Part Number: 10555AA00AS
			ANG.= +/-1°	
			SCALE: 3:2	