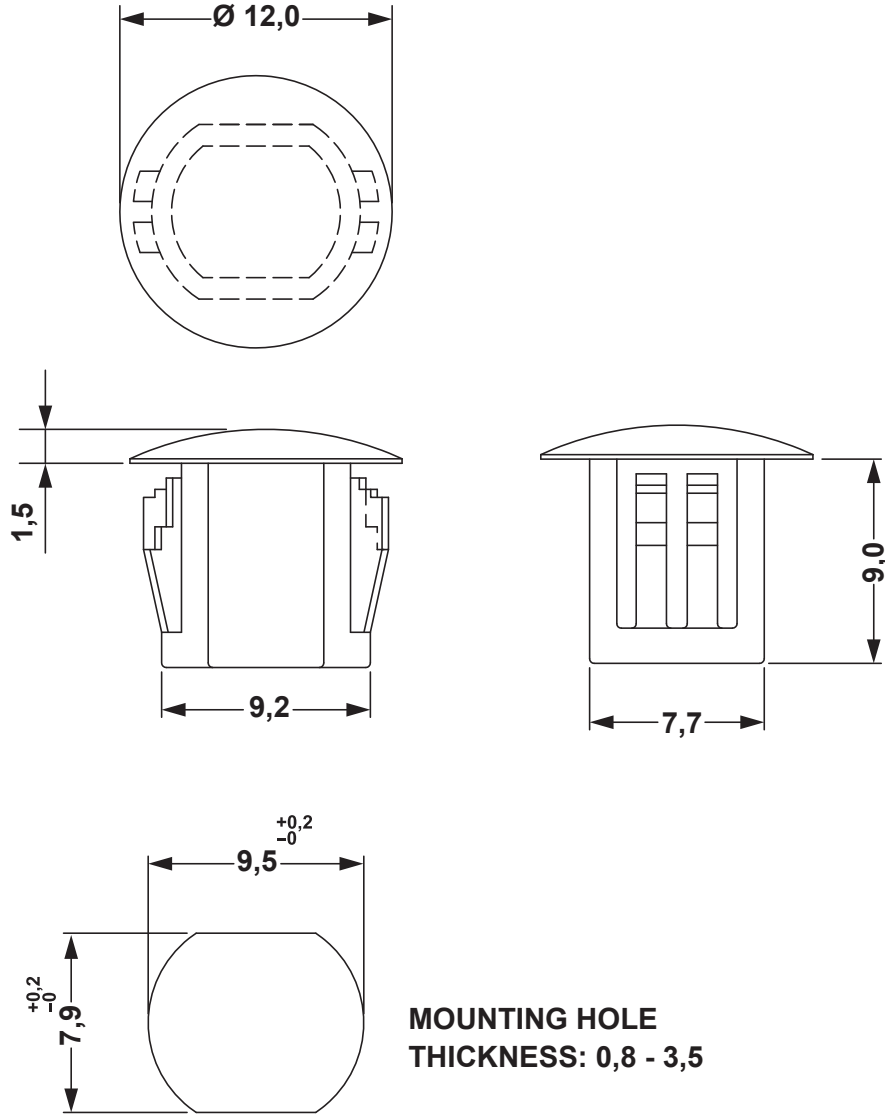



DIM.	TOL
5mm DOWN	±0.2
5~20mm	±0.3
20~40mm	±0.4
40~60mm	±0.5
60~100mm	±0.8
100mm UP	±1.0

REVISIONS			
REV	DESCRIPTION	DATE	BY



NOTE: All measurement does not include gate which raises under 0.3mm.

				TITLE ST-CONNECTOR HOLE PLUGS	
				MATERIAL PA66 V2 UL94	DATE 10/02/2017
PART NUMBER 10625AA01				DRAWN R.F	
				DRAWING NUMBER 17.02.10.10625.0.E	
SIZE A4				COLOR BLACK	
				SCALE 4:1	
UNIT mm.				CHECK	
				REV A	
UNLESS OTHERWISE SPECIFIED TOLERANCE SEE ABOVE				APPROVED	