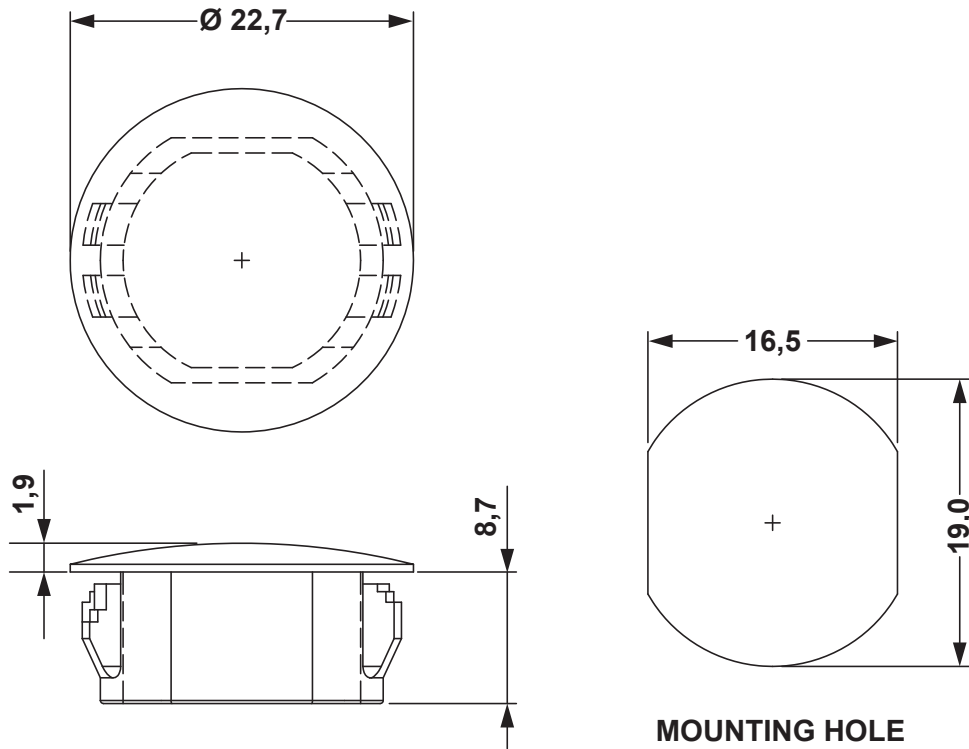


DIM.	TOL
5mm DOWN	±0.2
5~20mm	±0.3
20~40mm	±0.4
40~60mm	±0.5
60~100mm	±0.8
100mm UP	±1.0

REVISIONS			
REV	DESCRIPTION	DATE	BY



**MOUNTING HOLE
THICKNESS: 0,8 - 3,0**

NOTE: All measurement does not include gate which raises under 0.3mm.



TITLE
ST-CONNECTOR HOLE PLUGS

MATERIAL
PA66 V2 UL94

DATE
10/02/2017

DRAWN
R.F.

COLOR
BLACK

CHECK

PART NUMBER
10628AA01

DRAWING NUMBER
17.02.10.10628.0.E

UNLESS OTHERWISE SPECIFIED
TOLERANCE
SEE ABOVE

APPROVED

SIZE
A4

SCALE
2:1

UNIT
mm.

REV
A