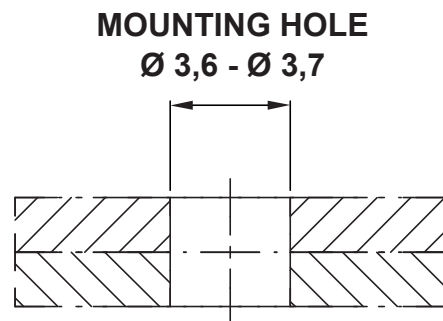
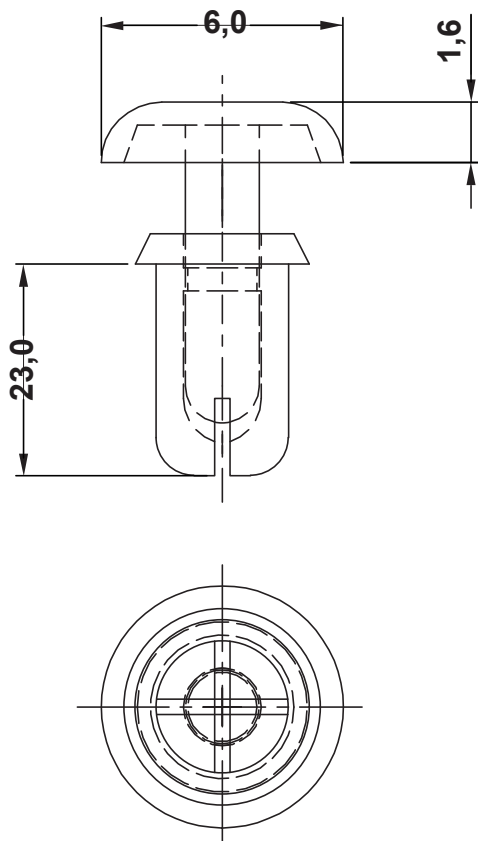


DIM.	TOL.
5mm DOWN	±0.2
5~20mm	±0.3
20~40mm	±0.4
40~60mm	±0.5
60~100mm	±0.8
100mm UP	±1.0

REVISIONS			
REV	DESCRIPTION	DATE	BY



PANEL THICKNESS 18,5 - 20,0



TITLE **PUSH-IN LOCK RIVETS FOR HIGH THICKNESS**

MATERIAL	PA66 V2 (UL94)	DATE	06.07.2017
----------	----------------	------	------------

		DRAWN	R.F.
--	--	-------	------

COLOR	BLACK	CHECK	
-------	-------	-------	--

UNLESS OTHERWISE SPECIFIED TOLERANCE	SEE ABOVE	APPROVED	
--------------------------------------	-----------	----------	--

PART NUMBER		DRAWING NUMBER	
10771AA01		17.07.06.10771.0.E	
SIZE	SCALE	UNIT	REV
A4	NTS	mm.	A