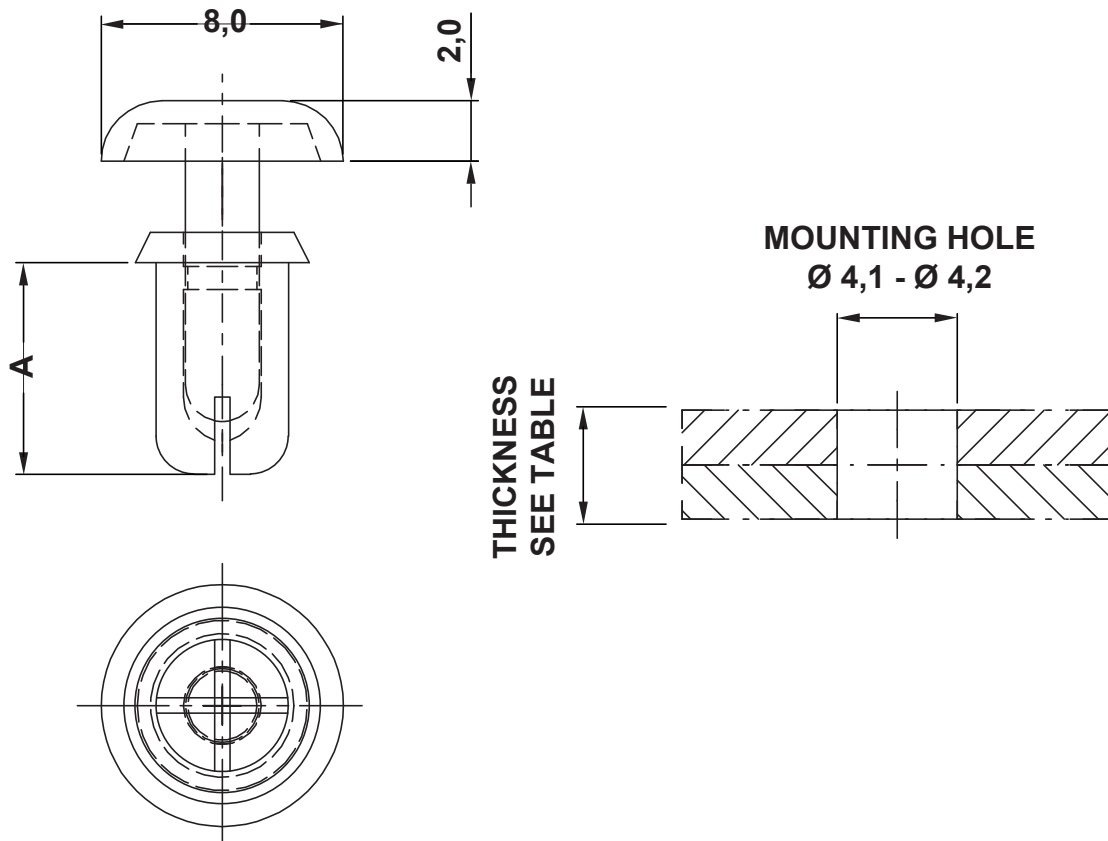


DIM.	TOL.
5mm DOWN	±0.2
5~20mm	±0.3
20~40mm	±0.4
40~60mm	±0.5
60~100mm	±0.8
100mm UP	±1.0

REVISIONS			
REV	DESCRIPTION	DATE	BY



P/N	A	THICKNESS
10772AA01	13,7	11,0 - 12,0
10773AA01	15,5	12,0 - 13,0
10774AA01	20,0	15,0 - 17,0
10775AA01	24,5	22,0 - 23,0



TITLE **PUSH-IN LOCK RIVETS FOR HIGH THICKNESS**

MATERIAL PA66 V2 (UL94) DATE 05/06/2017

COLOR BLACK DRAWN R.F.

UNLESS OTHERWISE SPECIFIED TOLERANCE SEE ABOVE CHECK APPROVED

PART NUMBER SEE TABLE DRAWING NUMBER 17.06.05.1077X.0.E

SIZE A4 SCALE NTS UNIT mm. REV A