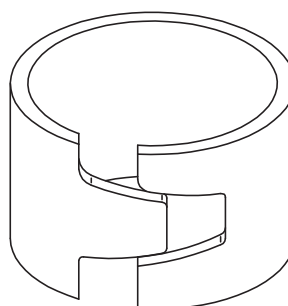
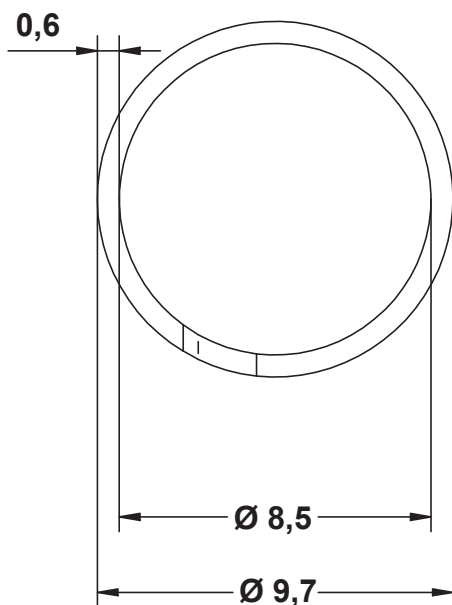
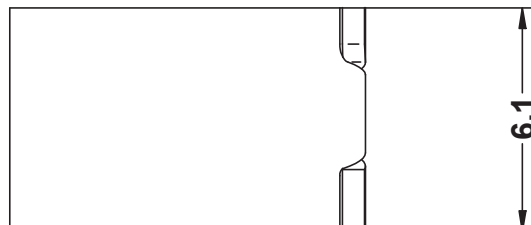
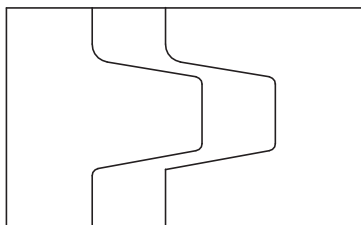


DIM.	TOL.
5mm DOWN	±0.2
5~20mm	±0.3
20~40mm	±0.4
40~60mm	±0.5
60~100mm	±0.8
100mm UP	±1.0

REVISIONS			
REV	DESCRIPTION	DATE	BY



SCALA 4:1



TITLE RETAINING RINGS Ø 9,7	
MATERIAL STEEL	DATE 12/04/2017
	DRAWN R.F.
COLOR FINISHING NICKEL-PLATED	CHECK
UNLESS OTHERWISE SPECIFIED TOLERANCE SEE ABOVE	APPROVED

PART NUMBER 12002MC92		DRAWING NUMBER 17.04.12.12002.0.E	
SIZE A4	SCALE 5:1	UNIT mm.	REV A