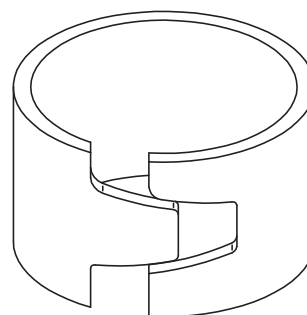
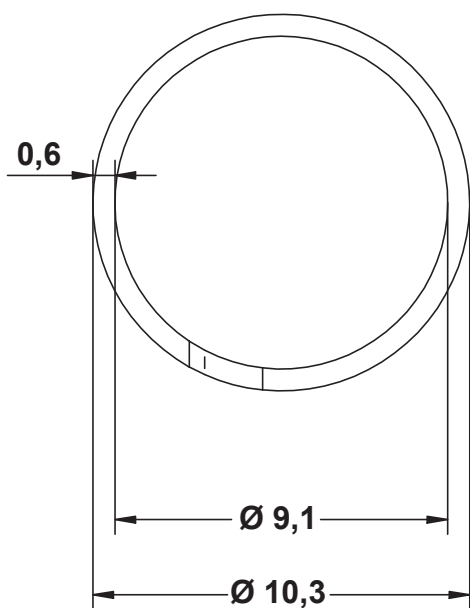
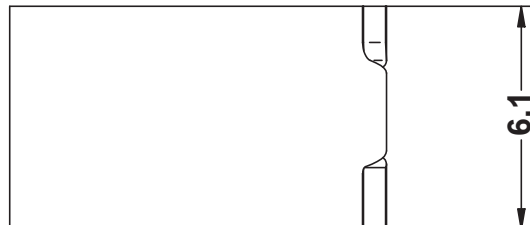
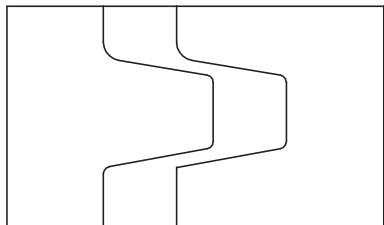


DIM.	TOL.
5mm DOWN	±0.2
5~20mm	±0.3
20~40mm	±0.4
40~60mm	±0.5
60~100mm	±0.8
100mm UP	±1.0

REVISIONS			
REV	DESCRIPTION	DATE	BY



SCALA 4:1



TITLE
RETAINING RINGS Ø 10,3

MATERIAL STEEL	DATE 12/04/2017
--------------------------	---------------------------

	DRAWN R.F.
--	----------------------

PART NUMBER 12003MC92	DRAWING NUMBER 17.04.12.12003.0.E
---------------------------------	---

COLOR FINISHING NICKEL-PLATED	CHECK
---	-------

SIZE A4	SCALE 5:1	UNIT mm.	REV A
-------------------	---------------------	--------------------	-----------------

UNLESS OTHERWISE SPECIFIED TOLERANCE SEE ABOVE	APPROVED
---	----------