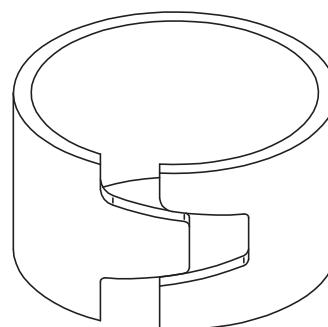
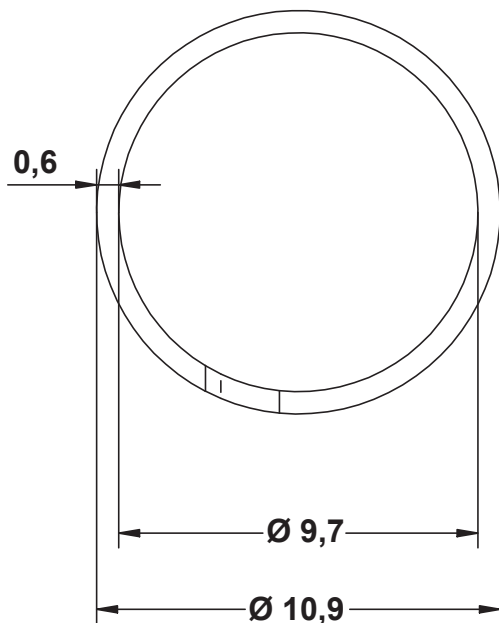
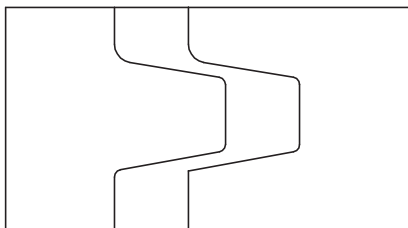


DIM.	TOL.
5mm DOWN	±0.2
5~20mm	±0.3
20~40mm	±0.4
40~60mm	±0.5
60~100mm	±0.8
100mm UP	±1.0

REVISIONS			
REV	DESCRIPTION	DATE	BY



SCALA 4:1



TITLE
RETAINING RINGS Ø 10,9

MATERIAL STEEL	DATE 12/04/2017
-------------------	--------------------

COLOR FINISHING NICKEL-PLATED	DRAWN R.F.
----------------------------------	---------------

PART NUMBER 12004MC92	DRAWING NUMBER 17.04.12.12004.0.E
--------------------------	--------------------------------------

UNLESS OTHERWISE SPECIFIED TOLERANCE SEE ABOVE	CHECK APPROVED
--	-------------------

SIZE A4	SCALE 5:1	UNIT mm.	REV A
------------	--------------	-------------	----------