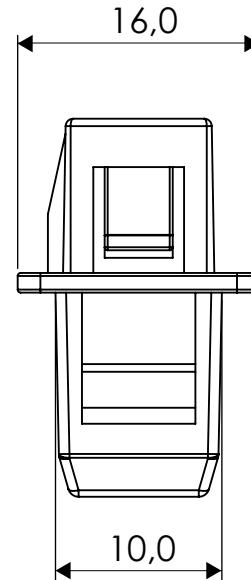
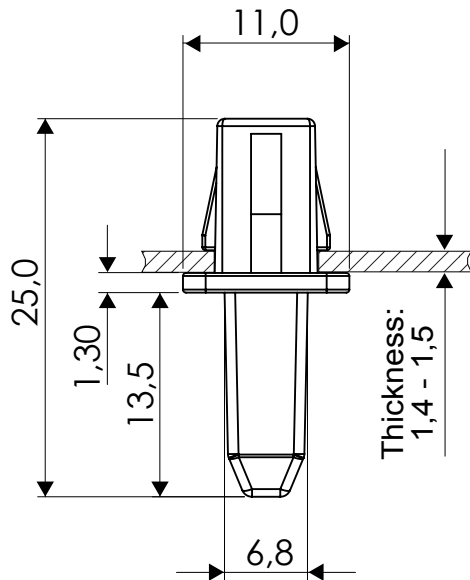
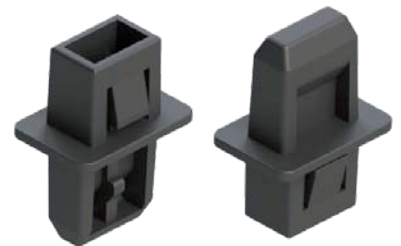
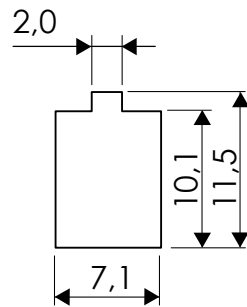


DIM.	TOL.
5mm DOWN	±0.2
5~20mm	±0.3
20~40mm	±0.4
40~60mm	±0.5
60~100mm	±0.8
100mm UP	±1.0

REVISIONS			
REV	DESCRIPTION	DATE	BY



MOUNTING HOLE:



NOTES:

To be used with Latch **12047 AA01**



TITLE		<b>STRIKE</b>	
MATERIAL		POM	DATE
			15/09/2015
			DRAWN
			S.P.
PART NUMBER		COLOR	CHECK
12048GA01		BLACK	
DRAWING NUMBER		UNLESS OTHERWISE SPECIFIED TOLERANCE	
15.09.15.12048.E		SEE ABOVE	
SIZE	SCALE	UNIT	REV
A4	NTS	mm	A
		APPROVED	