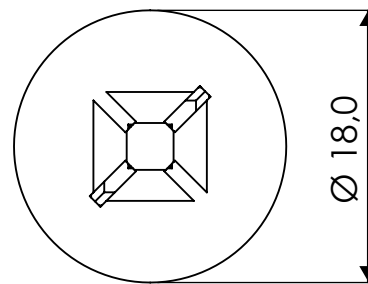
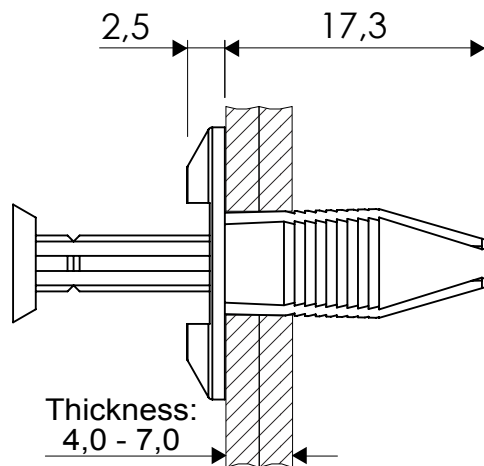
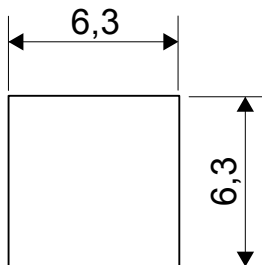



DIM.	TOL.
5mm DOWN	±0.2
5~20mm	±0.3
20~40mm	±0.4
40~60mm	±0.5
60~100mm	±0.8
100mm UP	±1.0

REVISIONS			
REV	DESCRIPTION	DATE	BY



MOUNTING HOLE:



				TITLE PUSH LOCK RIVET	
				MATERIAL PA 66	DATE 15/09/2015
PART NUMBER 12049AA01		DRAWING NUMBER 15.09.15.12049.E		COLOR BLACK	DRAWN S.P.
SIZE A4	SCALE NTS	UNIT mm	REV A	UNLESS OTHERWISE SPECIFIED TOLERANCE SEE ABOVE	CHECK APPROVED