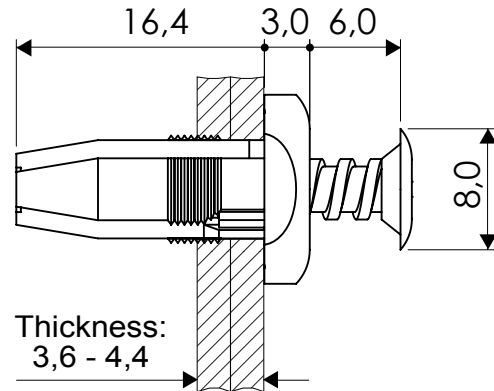
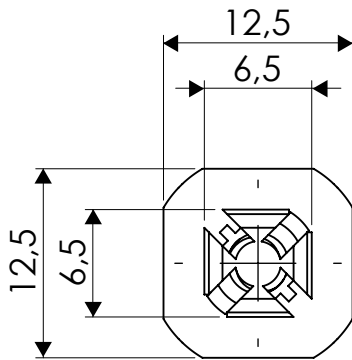
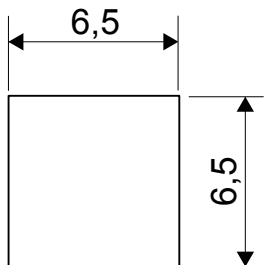



DIM.	TOL.
5mm DOWN	±0.2
5~20mm	±0.3
20~40mm	±0.4
40~60mm	±0.5
60~100mm	±0.8
100mm UP	±1.0

REVISIONS			
REV	DESCRIPTION	DATE	BY



MOUNTING HOLE:



				TITLE SCREW RIVET			
				MATERIAL PA 66		DATE 15/09/2015	
				DRAWN S.P.			
PART NUMBER 12050AA01		DRAWING NUMBER 15.09.15.12050.E		COLOR BLACK		CHECK	
SIZE A4	SCALE NTS	UNIT mm	REV A	UNLESS OTHERWISE SPECIFIED TOLERANCE SEE ABOVE		APPROVED	