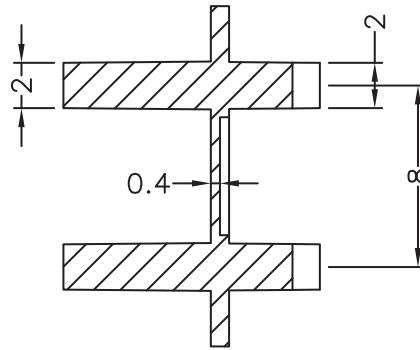
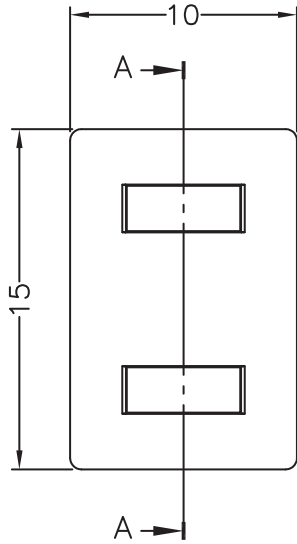
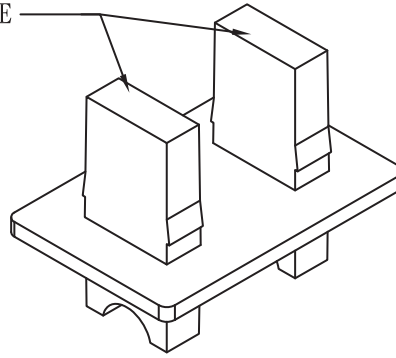


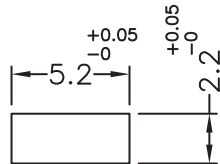
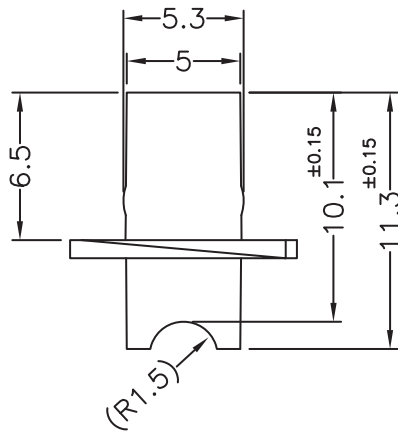
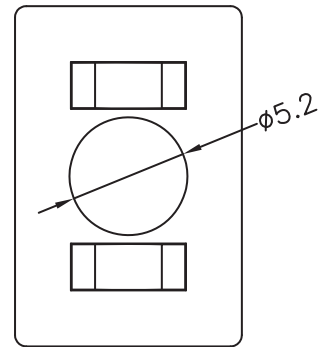
DIM.	TOL.
5mm DOWN	±0.2
5~20mm	±0.3
20~40mm	±0.4
40~60mm	±0.5
60~100mm	±0.8
100mm UP	±1.0

REVISIONS			
REV	DESCRIPTION	DATE	BY

FOG-FACE TEXTURE



SECTION A-A



MOUNTING HOLE
THICKNESS 1.0

NOTE: All measurement does not include gate which raises under 0.3mm.



TITLE		LIGHT PIPE	
MATERIAL		PC UL94V-0	DATE 08/06/2016
ADESIVO			DRAWN R.F.
PART NUMBER 14098NV00		DRAWING NUMBER 16.06.08.14098.0.E	
COLOR		CLEAR	
UNLESS OTHERWISE SPECIFIED TOLERANCE		APPROVED	
SIZE A4	SCALE 3:1	UNIT mm	REV C
SEE ABOVE		SEE ABOVE	