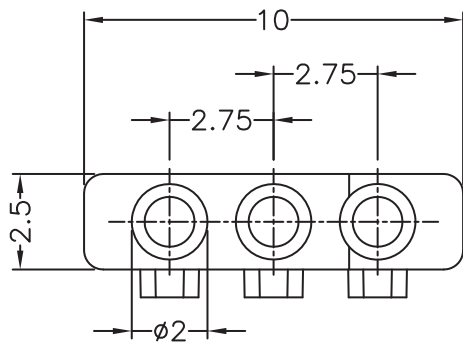
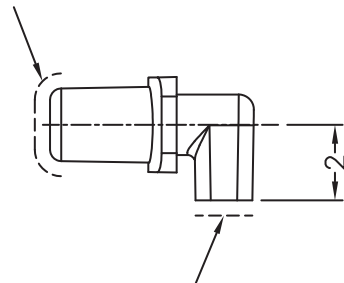


DIM.	TOL.
5mm DOWN	±0.2
5~20mm	±0.3
20~40mm	±0.4
40~60mm	±0.5
60~100mm	±0.8
100mm UP	±1.0

REVISIONS			
REV	DESCRIPTION	DATE	BY

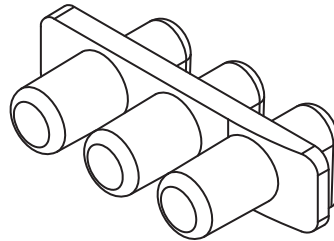
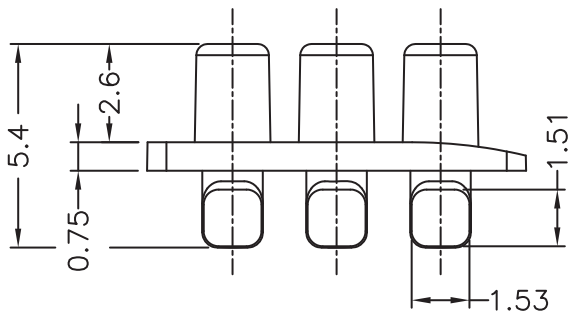



POLISHED SURFACES



POLISHED SURFACES

(OTHER AREAS ARE ALL IN MATTED SURFACES)



				TITLE LIGHT PIPE	
				MATERIAL PC UL94V-2	DATE 08/06/2016
PART NUMBER 14103NV00				DRAWING NUMBER 16.06.08.14103.0.E	
DRAWING NUMBER 16.06.08.14103.0.E				DRAWN R.F.	
DRAWING NUMBER 16.06.08.14103.0.E				CHECK	
SIZE A4	SCALE 5:1	UNIT mm	REV A	UNLESS OTHERWISE SPECIFIED TOLERANCE SEE ABOVE	
UNLESS OTHERWISE SPECIFIED TOLERANCE SEE ABOVE				APPROVED	