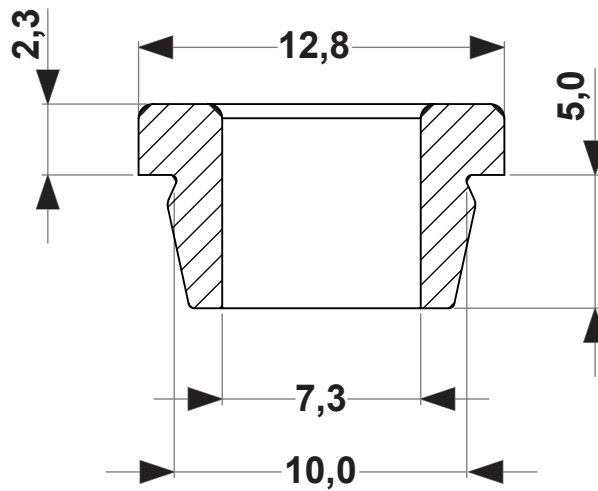
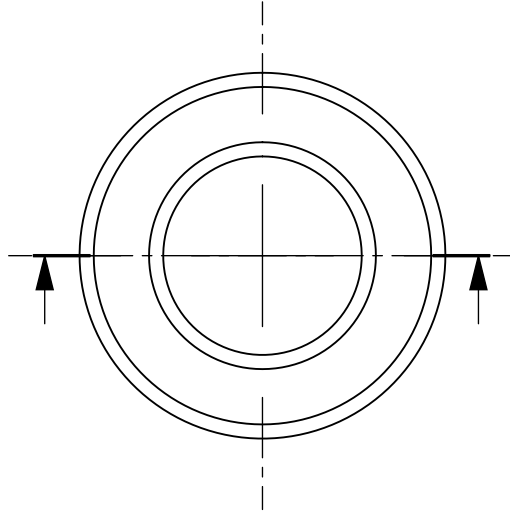



DIM.	TOL
5mm DOWN	±0.2
5~20mm	±0.3
20~40mm	±0.4
40~60mm	±0.5
60~100mm	±0.8
100mm UP	±1.0

REVISIONS			
REV	DESCRIPTION	DATE	BY



HOLE PANEL: Ø 10,0  
THICKNESS: 0,8 - 1,0

				TITLE CABLE BUSHING			
				MATERIAL PE-LD		DATE 17/05/2011	
				FINISH		DRAWN J.D.	
				COLOR NATURAL		CHECK	
PART NUMBER 2952EA00		DRAWING NUMBER 11.05.17.2952.0.E					
SIZE A4	SCALE NTS	UNIT mm.	REV C	UNLESS OTHERWISE SPECIFIED TOLERANCE SEE ABOVE			
				APPROVED			