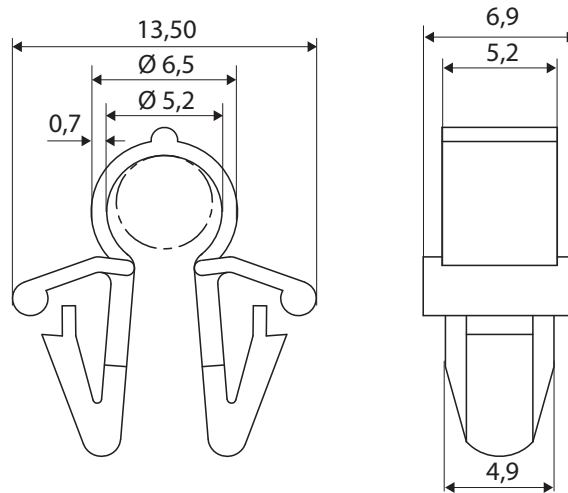


DIM.	TOL.
5mm DOWN	±0.2
5~20mm	±0.3
20~40mm	±0.4
40~60mm	±0.5
60~100mm	±0.8
100mm UP	±1.0


REVISIONS			
REV	DESCRIPTION	DATE	BY



CLOSED DIAMETER: Ø 4,5
 THICKNESS: 2.0 mm
 MOUNTING HOLE: Ø 6.0

NOTE:

- 1.All measurement does not include gate wich raises under 0.3 mm.
- 2.It is normal if it is shrinking.

		TITLE WIRE HOLDER	
		MATERIAL NYLON 66 UL94V-2	DATE 06/10/2015
PART NUMBER 8079AA00		DRAWN S.P.	
DRAWING NUMBER 15.10.06.8079.0.E		CHECK	
SIZE A4	SCALE 3:1	COLOR NATURAL	APPROVED
UNIT mm	REV A	UNLESS OTHERWISE SPECIFIED TOLERANCE SEE ABOVE	