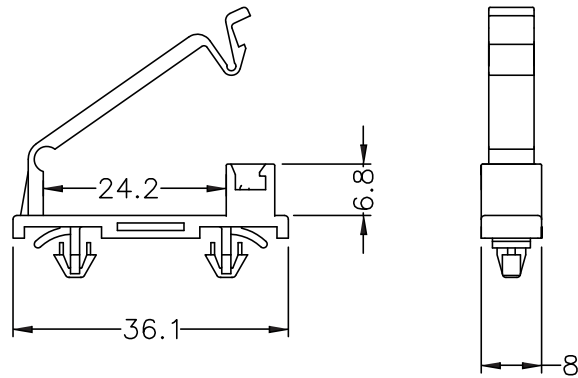



DIM.	TOL
5mm DOWN	±0.2
5~20mm	±0.3
20~40mm	±0.4
40~60mm	±0.5
60~100mm	±0.8
100mm UP	±1.0

REVISIONS			
REV	DESCRIPTION	DATE	BY



MOUNTING HOLES

NOTE: All measurement does not include gate which raises under 0.3 mm.

				TITLE WIRE MOUNT	
				MATERIAL PA66 V2 UL94-2	DATE 17/05/2011
PART NUMBER 8080AA00				DRAWN J.D.	
				DRAWING NUMBER 11.05.17.8080.0.E	
SIZE A4				COLOR NATURAL	
				CHECK	
SCALE 1:1		UNIT mm.		UNLESS OTHERWISE SPECIFIED TOLERANCE SEE ABOVE	
REV A		APPROVED			