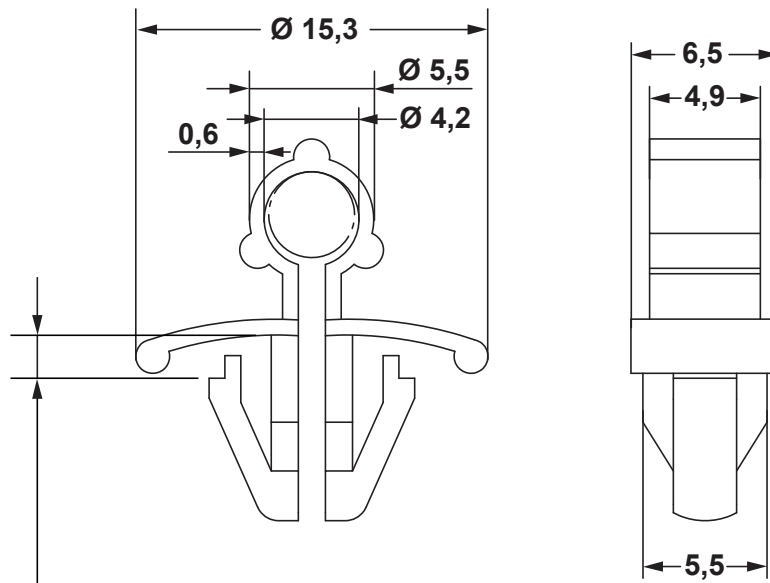


DIM.	TOL.
5mm DOWN	±0.2
5~20mm	±0.3
20~40mm	±0.4
40~60mm	±0.5
60~100mm	±0.8
100mm UP	±1.0

REVISIONS			
REV	DESCRIPTION	DATE	BY



PANEL THICKNESS: 1,2 mm  
MOUNTING HOLE:  $\varnothing 6,5$  mm  
CLOSED DIAMETER:  $\varnothing 3,8$  mm



<b>fastpoint</b>		TITLE		WIRE HOLDER	
		MATERIAL		DATE	
		NYLON 66 UL94V-2		31/05/2017	
PART NUMBER		DRAWING NUMBER		DRAWN	
8085AA00		17.05.31.8085.0.E		R.F.	
SIZE		UNIT		CHECK	
A4		mm			
SCALE		REV		APPROVED	
3:1		A			
UNLESS OTHERWISE SPECIFIED TOLERANCE				SEE ABOVE	