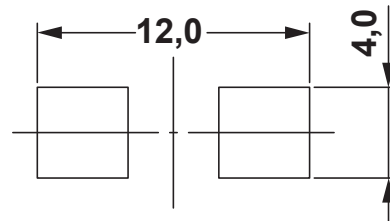
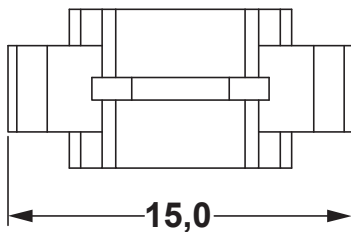
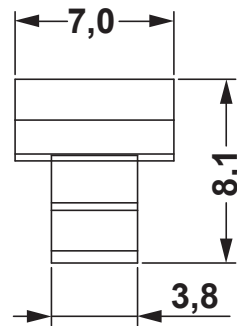
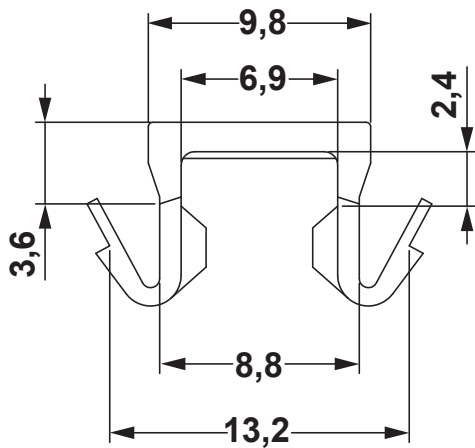
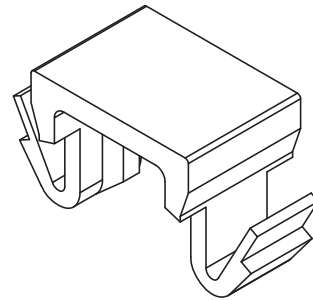


DIM.	TOL.
5mm DOWN	±0.2
5~20mm	±0.3
20~40mm	±0.4
40~60mm	±0.5
60 100mm	±0.8
100mm UP	±1.0

REVISIONS			
REV	DESCRIPTION	DATE	BY



MOUNTING HOLE
BOARD THICKNESS: 1.0 - 1.2 mm



TITLE		WIRE MOUNT	
MATERIAL		PA66 V2 (UL94)	DATE 06/09/2017
COLOR		NATURAL	DRAWN R.F.
PART NUMBER 12059AA00		DRAWING NUMBER 17.09.06.12059.0.E	
SIZE A4	SCALE 3:1	UNIT mm	REV A
UNLESS OTHERWISE SPECIFIED TOLERANCE SEE ABOVE		CHECK APPROVED	