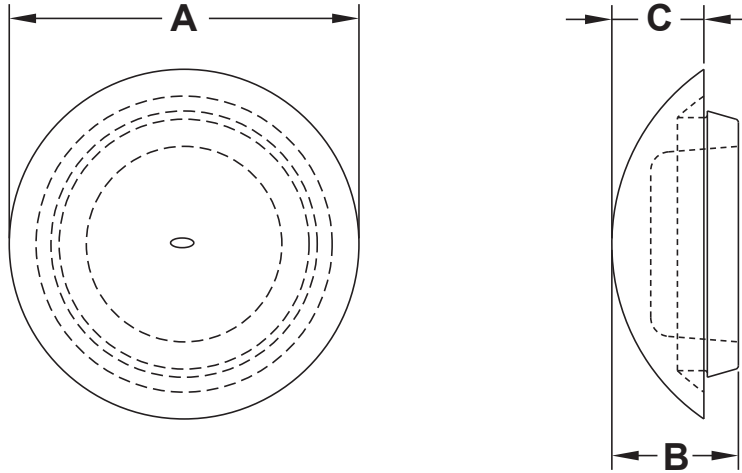



DIM.	TOL.
5mm DOWN	±0.2
5~20mm	±0.3
20~40mm	±0.4
40~60mm	±0.5
60~100mm	±0.8
100mm UP	±1.0

REVISIONS			
REV	DESCRIPTION	DATE	BY



P/N	A	B	C	⊖ _L or ⊕ _L	MOUNTING HOLE
22620PF01	23,1	11,4	7,4	⊕ _L	12,7
22621PF01	26,2	11,9	7,9	⊕ _L	15,9
22622PF01	29,2	13,0	8,9	⊕ _L	19,1
22623PF01	32,5	13,5	9,1	⊖ _L	22,2
22624PF01	35,8	14,2	10,2	⊕ _L	25,4
22625PF01	38,6	14,0	10,2	⊖ _L	27,8
22626PF01	45,2	14,5	10,7	⊖ _L	34,9

NOTES:
MAXIMUM PANEL THICKNESS: 3,2 mm

				TITLE HOLE PLUGS	
				MATERIAL TPE 85 SHORE A	
PART NUMBER SEE TABLE				DRAWING NUMBER 17.06.09.2262X.0.E	
DRAWING NUMBER 17.06.09.2262X.0.E				DRAWN R.F.	
DRAWING NUMBER 17.06.09.2262X.0.E				CHECK	
DRAWING NUMBER 17.06.09.2262X.0.E				APPROVED	
SIZE A4	SCALE NTS	UNIT mm.	REV A	UNLESS OTHERWISE SPECIFIED TOLERANCE SEE ABOVE	