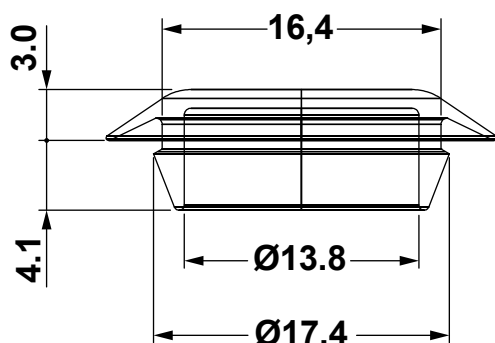
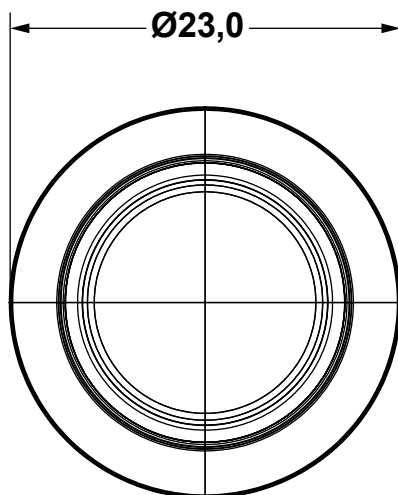
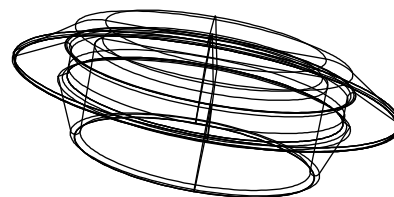


DIM.	TOL.
5mm DOWN	±0.2
5~20mm	±0.3
20~40mm	±0.4
40~60mm	±0.5
60~100mm	±0.8
100mm UP	±1.0

REVISIONS			
REV	DESCRIPTION	DATE	BY



MOUNTING HOLE: Ø16,5
THICKNESS: 0,5 - 2,0



TITLE
PLUGS

MATERIAL
 PE-LD HB(UL94)

DATE
 31/07/2018

DRAWN
 R.F.

COLOR
 BLACK

CHECK

PART NUMBER
 0238EA01

DRAWING NUMBER
 18.07.31.0238.0.E

SIZE
 A4

SCALE
 NTS

UNIT
 mm.

REV
 A

UNLESS OTHERWISE SPECIFIED
 TOLERANCE
 SEE ABOVE

APPROVED