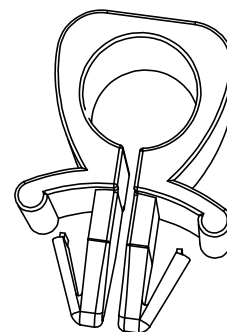
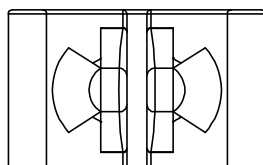
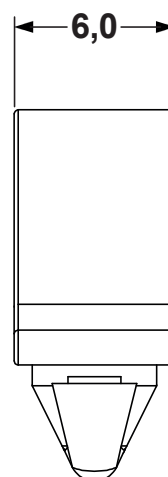
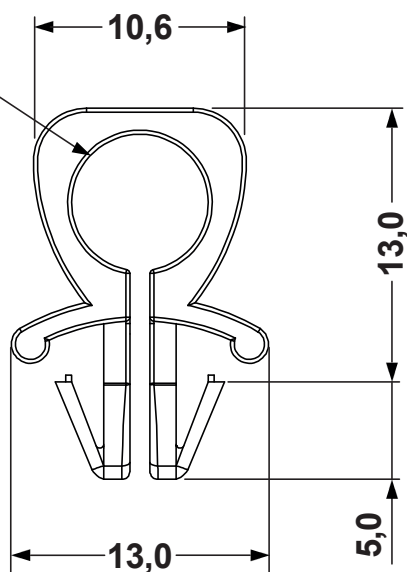


| DIM. | TOL. |
|----------|------|
| 5mm DOWN | ±0.2 |
| 5~20mm | ±0.3 |
| 20~40mm | ±0.4 |
| 40~60mm | ±0.5 |
| 60~100mm | ±0.8 |
| 100mm UP | ±1.0 |

| REVISIONS | | | |
|-----------|-------------|------|----|
| REV | DESCRIPTION | DATE | BY |
| | | | |
| | | | |



FOR Ø6,8 CABLE



**MOUNTING HOLE Ø6,5
PANEL THICKNESS 0,5 - 3,0**



| | | | | | |
|--|---------------------|--|-----------------|--|--|
| TITLE OPEN ANCHOR WIRE AND PIPE CLIPS | | MATERIAL PA 66 V2(UL94) | | DATE 19/03/2019 | |
| | | COLOR NATURAL | | DRAWN R.F. | |
| PART NUMBER 0299AA00 | | DRAWING NUMBER 19.03.19.0299.0.E | | CHECK APPROVED | |
| SIZE A4 | SCALE NTS | UNIT mm. | REV A | UNLESS OTHERWISE SPECIFIED TOLERANCE SEE ABOVE | |