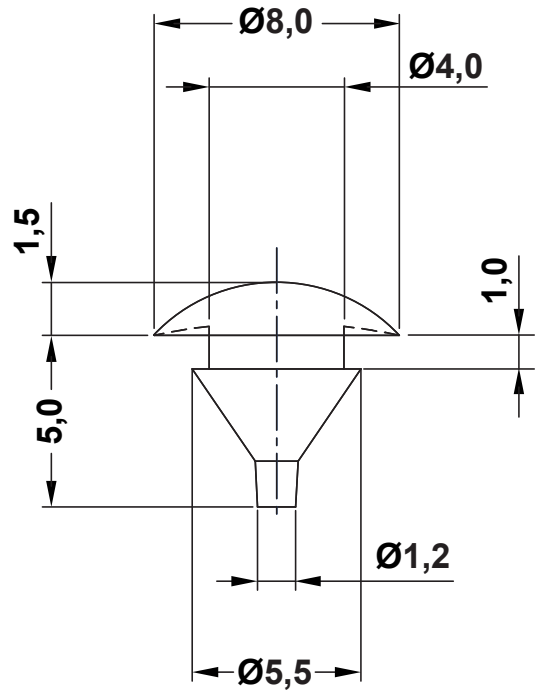



REVISIONS			
REV	DESCRIPTION	DATE	BY



DESCRIPTION		TITLE: PUSH-IN PVC FEET		DWG UNIT: MM	
MATERIAL:	SOFT PVC	Modelled in RHINO 4.0		FILE:	DwN: 18.09.20.0441.E.0
COLOUR:	BLACK	GENERAL TOLERANCE: FOR REFERENCE ONLY ± 0,30 UNLESS OTHERWISE STATED ANG.= ± 1°		SHEET: 1 OF 1	ChkD: DT: 20/09/18
				SCALE: 4:1	Part Number: 0441CA01
					
REV.			DATE		