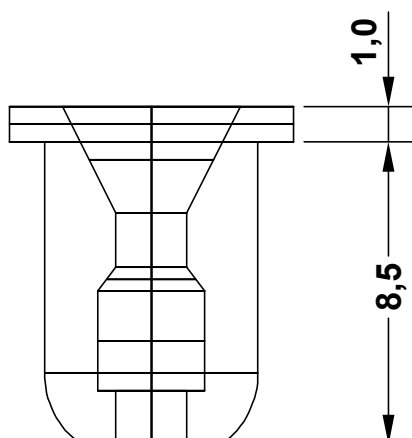
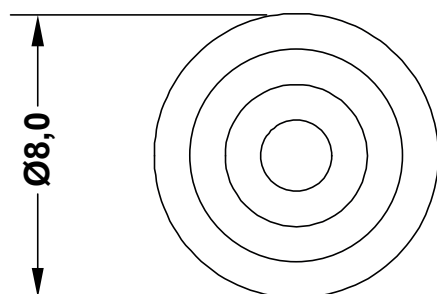
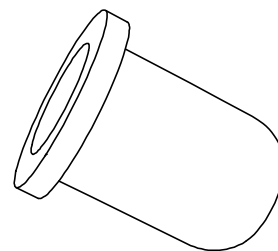


DIM.	TOL.
5mm DOWN	±0.2
5~20mm	±0.3
20~40mm	±0.4
40~60mm	±0.5
60~100mm	±0.8
100mm UP	±1.0

REVISIONS			
REV	DESCRIPTION	DATE	BY



MOUNTING HOLE Ø6,0
MAX. THICKNESS 3,0
PIN Ø3,0



TITLE BOCCOLE		MATERIAL PE-LD		DATE 10/04/2019	
		COLOR BLACK		DRAWN R.F.	
PART NUMBER 0938EA01		DRAWING NUMBER 19.04.10.0938.0.E		CHECK APPROVED	
SIZE A4	SCALE NTS	UNIT mm.	REV A	UNLESS OTHERWISE SPECIFIED TOLERANCE SEE ABOVE	