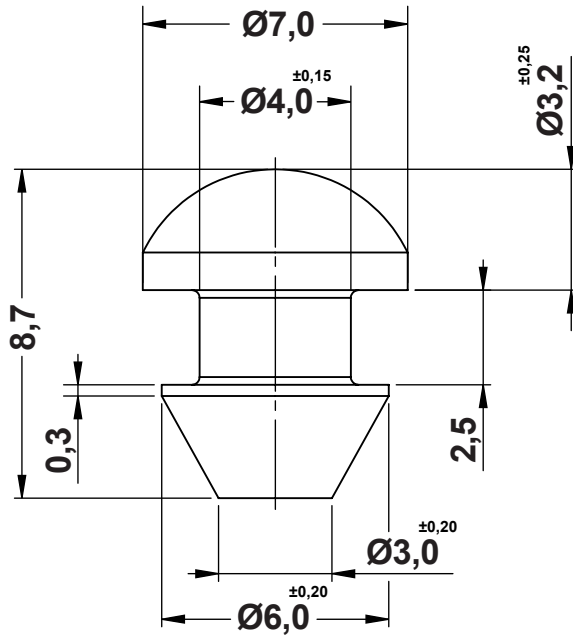


REVISIONS			
REV	DESCRIPTION	DATE	BY



TITLE **BUMPER**

MATERIAL EPDM 40 Shore A DATE 21/11/2018

DRAWN R.F.

COLOR BLACK CHECK

PART NUMBER 11250GS01 DRAWING NUMBER 18.11.21.11250.0.E

UNLESS OTHERWISE SPECIFIED TOLERANCE SEE ABOVE APPROVED

SIZE A4 SCALE 5:1 UNIT mm. REV A