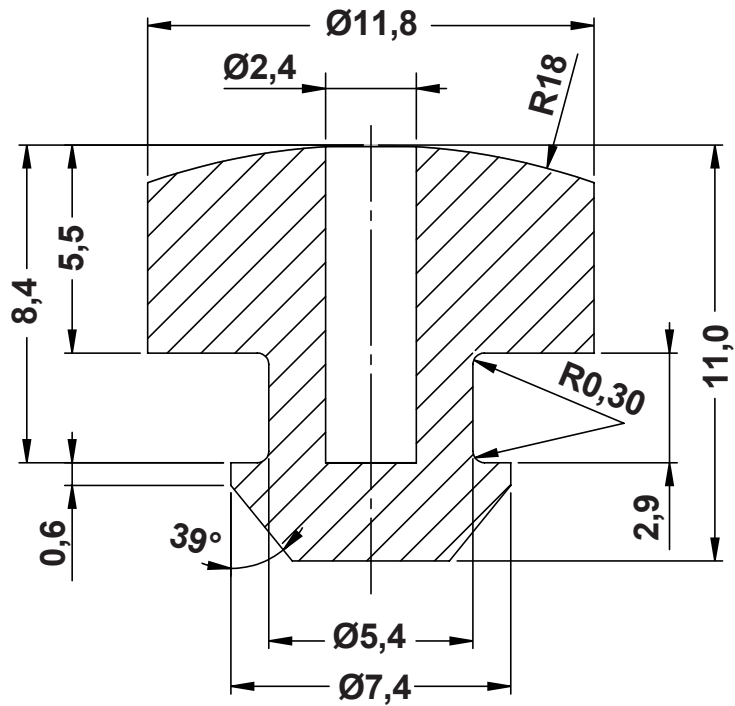
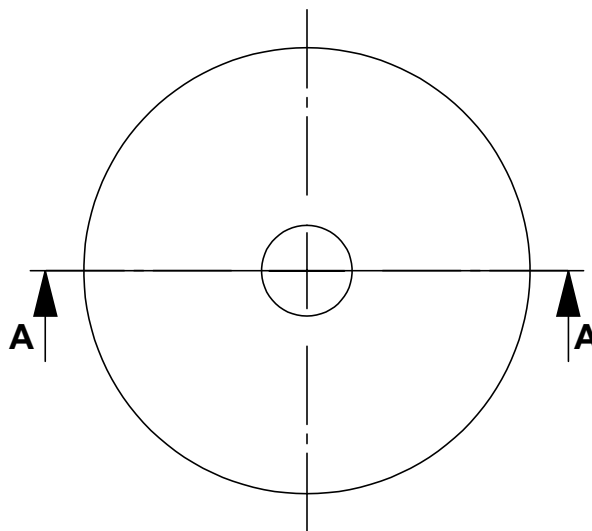


| REVISIONS | | | |
|-----------|-------------|------|----|
| REV | DESCRIPTION | DATE | BY |
| | | | |
| | | | |



SECTION A-A



TITLE
BUMPER

MATERIAL
SILICONE Shore 50 A

DATE
22/11/2018

DRAWN
R.F.

COLOR
BLACK

CHECK

UNLESS OTHERWISE SPECIFIED
TOLERANCE

APPROVED

PART NUMBER
11252SI01

DRAWING NUMBER
18.11.22.11252.0.E

SIZE
A4

SCALE
5:1

UNIT
mm.

REV
A