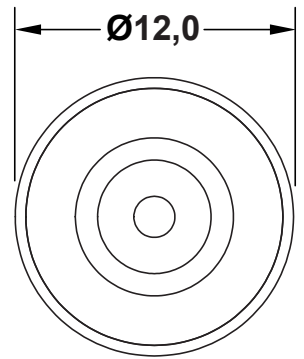
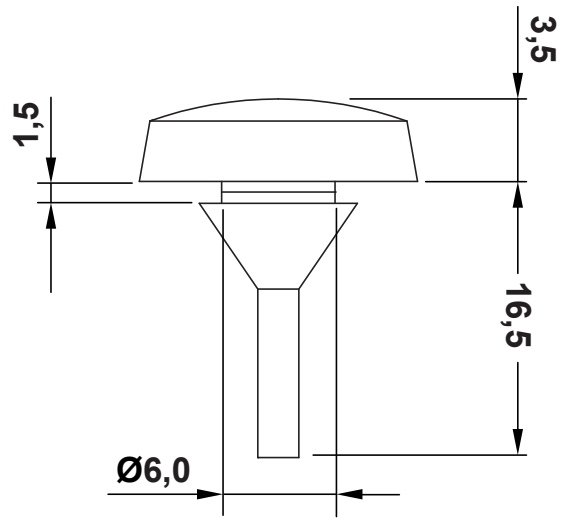



REVISIONS			
REV	DESCRIPTION	DATE	BY



	DESCRIPTION		TITLE: <b>PUSH-IN PVC FEET</b>	 DWG UNIT: MM
	MATERIAL: <b>SOFT PVC</b>		<i>Modelled in RHINO 4.0</i> FILE:	DwN: 18.09.20.2343.E.0 ChkD:
	COLOUR: <b>BLACK</b>		SHEET: 1 OF 1	DT: 20/09/18 Part Number: 2343CA01
			GENERAL TOLERANCE: FOR REFERENCE ONLY ± 0,30 UNLESS OTHERWISE STATED ANG.= ± 1°	SCALE: NTS
REV.		DATE		