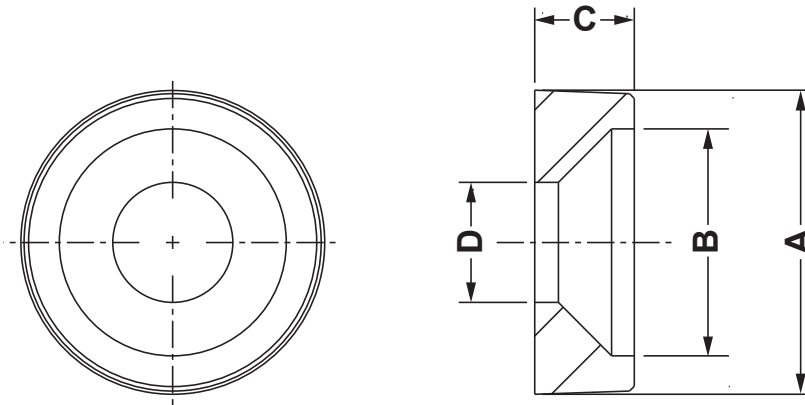
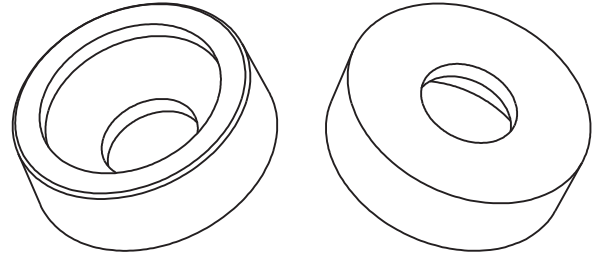



DIM.	TOL.
5mm DOWN	±0.2
5~20mm	±0.3
20~40mm	±0.4
40~60mm	±0.5
60~100mm	±0.8
100mm UP	±1.0

REVISIONS			
REV	DESCRIPTION	DATE	BY



P/N	SIZE	A	B	C	D
2897AA01	M3	8,0	6,0	2,6	3,0
2898AA01	M4	10,7	8,0	3,5	4,0
2899AA01	M5	13,4	10,0	4,4	5,0
2900AA01	M6	16,0	12,0	5,2	6,0
2901AA01	M8	21,4	16,0	7,0	8,0

		TITLE WASHERS FOR UNDERHEAD SCREWS	
		MATERIAL PA66 V2(UL94)	DATE 15/01/2018
PART NUMBER SEE TABLE		DRAWING NUMBER 18.01.15.2XXX.0.E	
DRAWING NUMBER 18.01.15.2XXX.0.E		COLOR BLACK	CHECK
SIZE A4	SCALE NTS	UNIT mm.	REV A
UNLESS OTHERWISE SPECIFIED TOLERANCE SEE ABOVE		APPROVED	