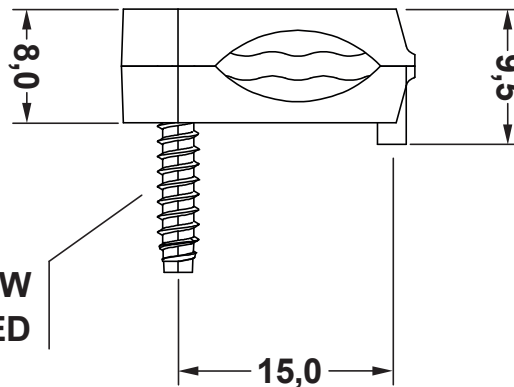
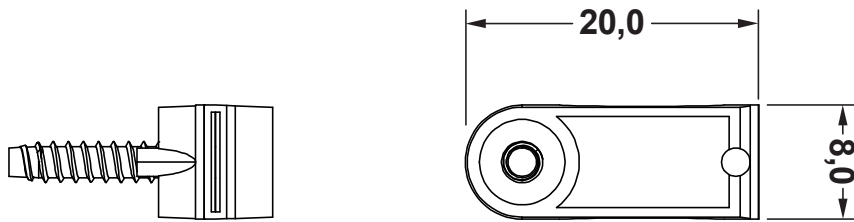
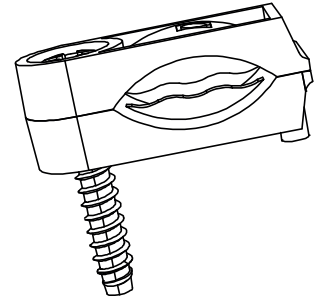


DIM.	TOL.
5mm DOWN	±0.2
5~20mm	±0.3
20~40mm	±0.4
40~60mm	±0.5
60~100mm	±0.8
100mm UP	±1.0

REVISIONS			
REV	DESCRIPTION	DATE	BY



**SELF TAPPING SCREW
2.9x16 INCLUDED**

CABLE DIAMETER MIN Ø4,8 MAX 6,8



TITLE CABLE CLAMPS SCREW FIXING		MATERIAL PA 66 HB(UL94)		DATE 04/03/2019	
		COLOR BLACK		DRAWN R.F.	
PART NUMBER 3284AA01		DRAWING NUMBER 19.03.04.3284.0.E		CHECK APPROVED	
SIZE A4	SCALE NTS	UNIT mm.	REV A	UNLESS OTHERWISE SPECIFIED TOLERANCE SEE ABOVE	