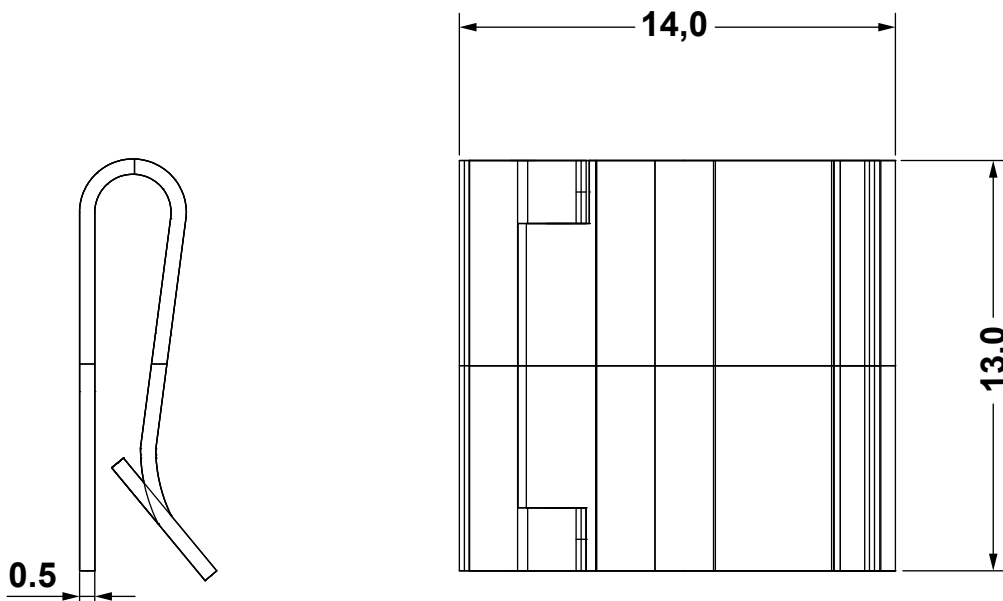
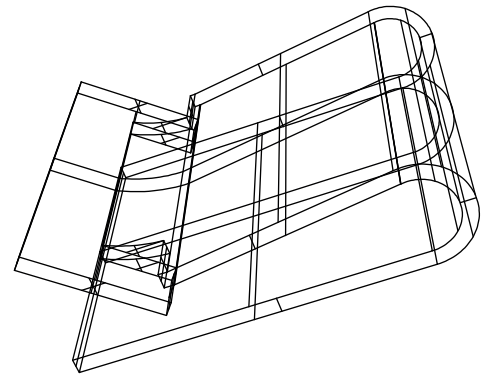



DIM.	TOL.
5mm DOWN	±0.2
5~20mm	±0.3
20~40mm	±0.4
40~60mm	±0.5
60 100mm	±0.8
100mm UP	±1.0

REVISIONS			
REV	DESCRIPTION	DATE	BY



**NOTES: 2 PRONGS  
PANEL THICKNESS: 0,8 - 1,5**

				TITLE EDGE CLIPS			
				MATERIAL SPRING STEEL		DATE 30/08/2018	
				COLOR		DRAWN R.F.	
PART NUMBER 3762MC90		DRAWING NUMBER 18.08.30.3762.0.E		CHECK			
SIZE A4	SCALE NTS	UNIT mm	REV A	UNLESS OTHERWISE SPECIFIED TOLERANCE SEE ABOVE			
APPROVED							