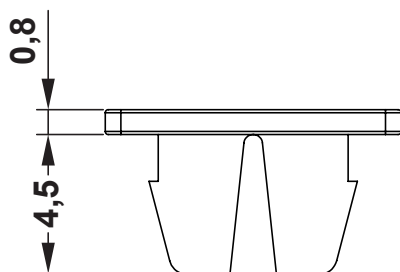
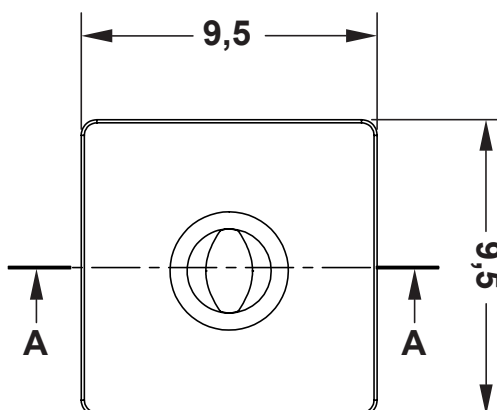
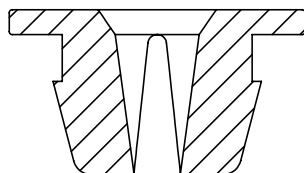


DIM.	TOL.
5mm DOWN	±0.2
5~20mm	±0.3
20~40mm	±0.4
40~60mm	±0.5
60~100mm	±0.8
100mm UP	±1.0

REVISIONS			
REV	DESCRIPTION	DATE	BY



SECTION A-A



MOUNTING HOLE: \square 6,2
PANEL THICKNESS: 0,8 - 1,5
SCREW 6 - 8P



TITLE			
SCREW GROMMETS			
MATERIAL		DATE	
PA6.6 V2(UL94)		27/09/2018	
		DRAWN	
		R.F.	
COLOR		CHECK	
NATURAL			
UNLESS OTHERWISE SPECIFIED TOLERANCE		APPROVED	
SEE ABOVE			

PART NUMBER		DRAWING NUMBER	
4702AA00		18.09.27.4702.0.E	
SIZE	SCALE	UNIT	REV
A4	NTS	mm.	A