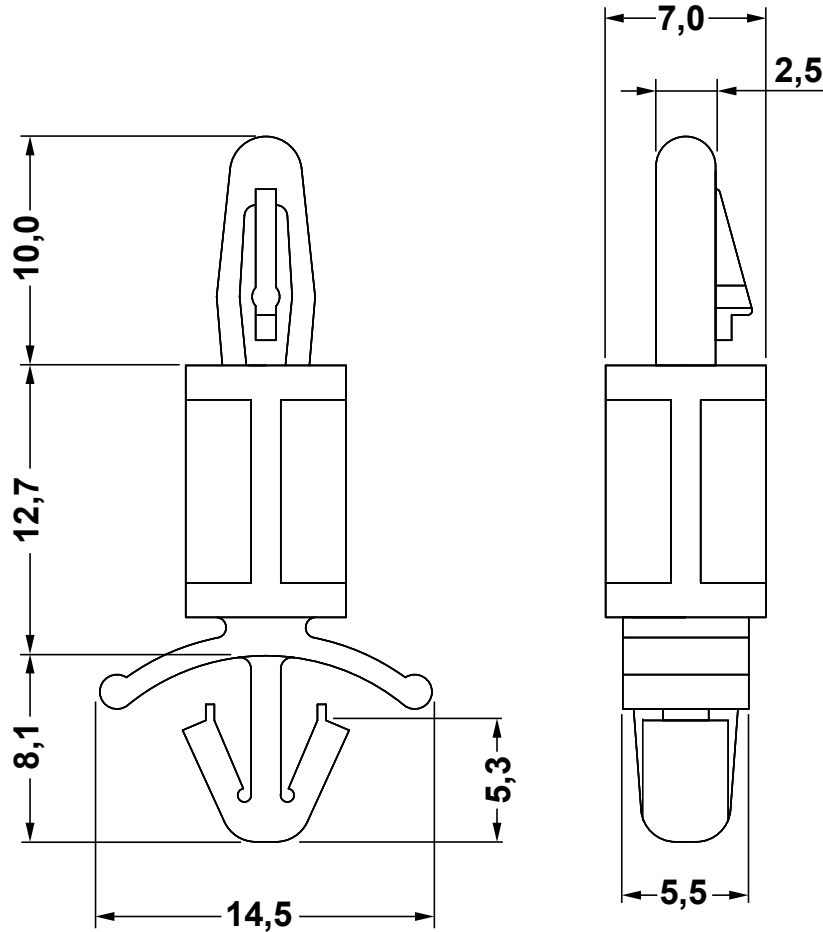
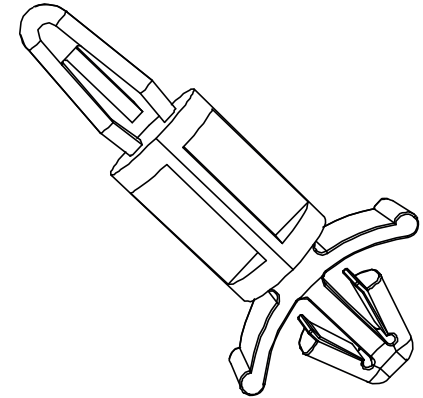


DIM.	TOL
5mm DOWN	±0.2
5~20mm	±0.3
20~40mm	±0.4
40~60mm	±0.5
60~100mm	±0.8
100mm UP	±1.0



PCB HOLE: Ø 4,0 mm.
PCB THICKNESS: 1,4 - 1,8 mm.

PANEL HOLE: Ø 4,8 mm.
PANEL THICKNESS: 0,5 - 2,0 mm.

REV.	DESCRIPTION	DATE	TITLE: DUAL LOCKING P.C.B. SPACER	DWG UNIT: MM
	MATERIAL: PA66 V2 (UL94)		Modelled in RHINO 4.0	FILE:
	COLOUR: NATURAL		TOLLERANCES UNLESS NOTED	DwN: 19.10.08.5506.E.0
			SEE ABOVE	DT: 08/10/19
			SHEET: 1 OF 1	ChkD: Part Number: 5506AA00
			SCALE: NTS	
			