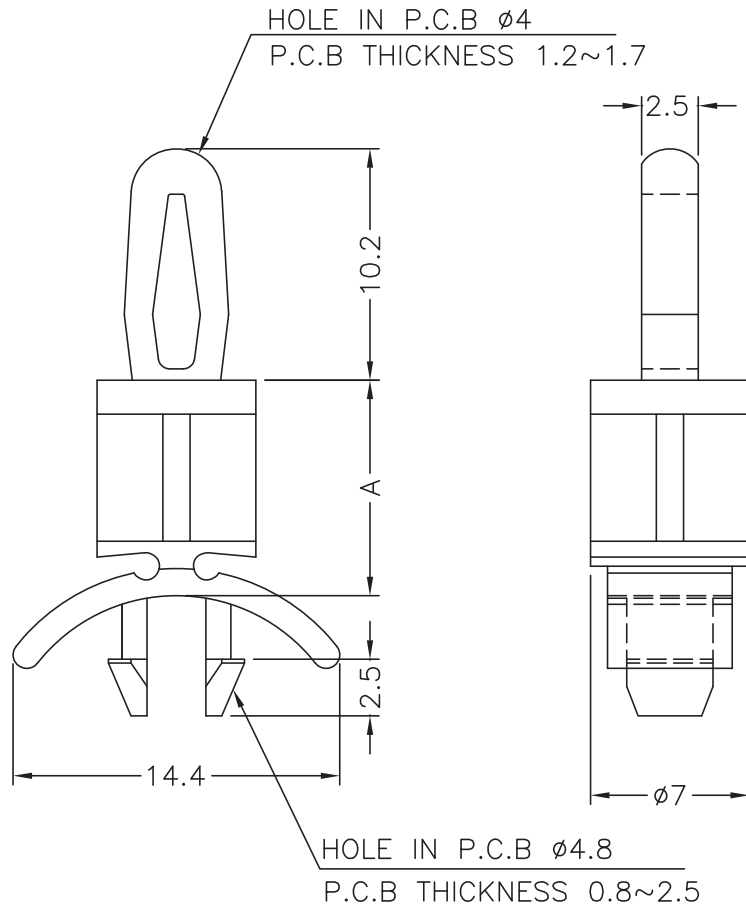


Dimensions	Tolerance
5mm DOWN	±0.2
5~20mm	±0.3
20~40mm	±0.4
40~60mm	±0.5
60~100mm	±0.8
100mm UP	±1.0



P/N	A
6365AA0004.80	4,8
6365AA0006.40	6,4
6365AA0009.50	9,5
6365AA0012.70	12,7
6365AA0015.90	15,9
6365AA0019.10	19,1
6365AA0022.20	22,2

REV.	DESCRIPTION	DATE	TITLE: <b>DUAL LOCKING P.C.B. SPACERS</b>	DWG UNIT: MM
	MATERIAL: PA 66 (UL) 94 V-2		Modelled in RHINO 4.0	FILE:
	COLOUR: NATURAL		TOLLERANCES UNLESS NOTED	SHEET: 1 OF 1
			SEE ABOVE	SCALE: NTS
				DwN: 27/05/14
				DT: 14.27.05.6365.E.0
				ChkD: Part Number: SEE TABLE
			