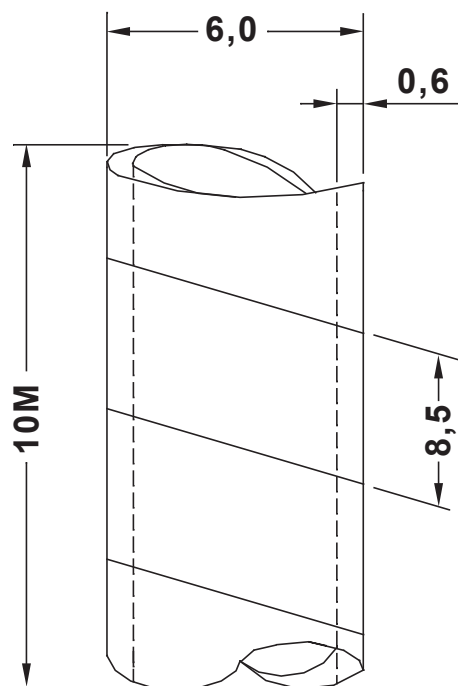


DIM.	TOL.
5mm DOWN	±0.2
5~20mm	±0.3
20~40mm	±0.4
40~60mm	±0.5
60~100mm	±0.8
100mm UP	±1.0

REVISIONS			
REV	DESCRIPTION	DATE	BY



TITLE
SPIRAL WRAPPING BANDS

MATERIAL PE-LD	DATE 13/02/2020
-------------------	--------------------

	DRAWN R.F.
--	---------------

COLOR NATURAL	CHECK
------------------	-------

UNLESS OTHERWISE SPECIFIED TOLERANCE SEE ABOVE	APPROVED
--	----------

PART NUMBER 6667EA00		DRAWING NUMBER 20.02.13.6667.0.E	
SIZE A4	SCALE NTS	UNIT mm.	REV A