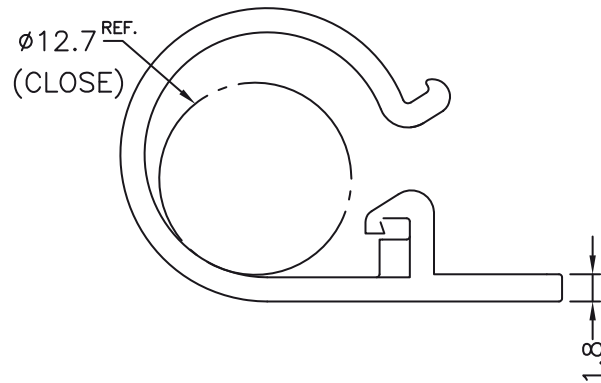
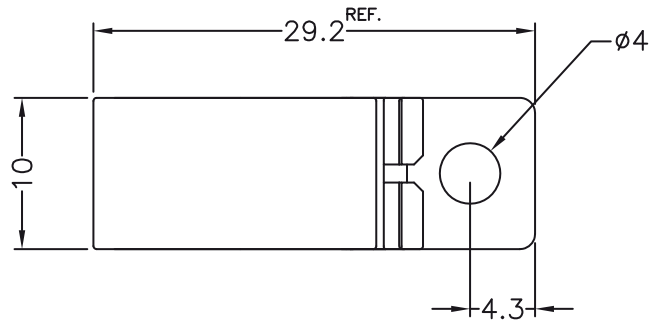


DIM.	TOL
5mm DOWN	±0.2
5~20mm	±0.3
20~40mm	±0.4
40~60mm	±0.5
60~100mm	±0.8
100mm UP	±1.0

REVISIONS			
REV	DESCRIPTION	DATE	BY



NOTE:1. All measurement does not include gate which raises under 0.3mm.  
2. It is normal if it is shrinking.



TITLE		RELEASEABLE WIRE CLIP SCREW FIXING	
MATERIAL		PA 66 V2 UL 94	DATE
FINISH			DRAWN
COLOR		NATURAL	CHECK
UNLESS OTHERWISE SPECIFIED TOLERANCE		SEE ABOVE	APPROVED

PART NUMBER		DRAWING NUMBER	
6891AA00		11.05.17.6891.0.E	
SIZE	SCALE	UNIT	REV
A4	2:1	mm.	C