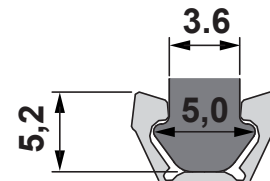
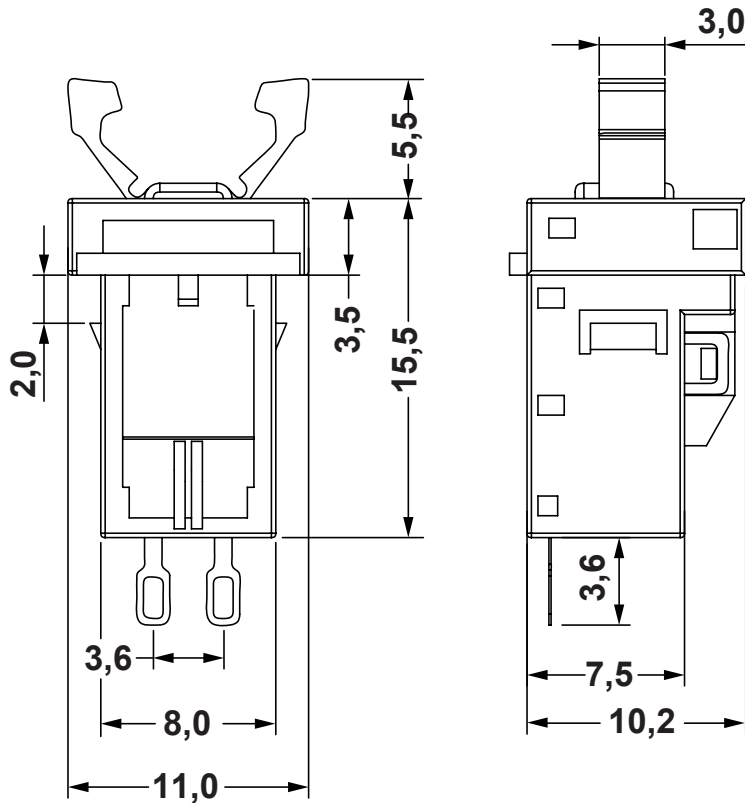


TOLERANCES

X 0.50
 X.X 0.25
 X.XX 0.10
 ANGLES 0.25°
 UNLESS OTHERWISE STATED

REVISIONS			
REV	DESCRIPTION	DATE	BY

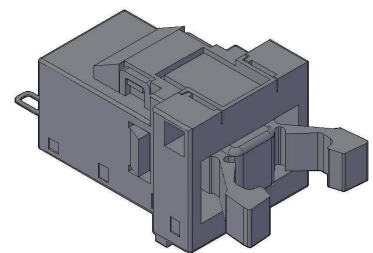



**MALE STRIKE PROFILE
 DIMENSION REQUIREMENTS**

HOLE SIZE	PANEL RANGE	
	MIN	MAX
10.0 x 8.0	2.0	2.1

NOTES:

- Insulation resistance: $\geq 100M\Omega$
- Contact resistance: $\leq 50m\Omega$
- Rated load condition : DC12V 50mA
- NO/ NC switch element integral to product latching function
- Dielectric breakdown strength. : AC250V 50Hz/min



				TITLE PUSH LATCH SWITCH	
				MATERIAL PA66/PC-ABS/SUS	DATE 12/05/2020
PART NUMBER 7158HA01PS				DRAWN R.F.	
DRAWING NUMBER 20.05.12.7158.0.E				CHECK	
COLOR BLACK				APPROVED	
SIZE A4	SCALE NTS	UNIT mm.	REV A	UNLESS OTHERWISE SPECIFIED TOLERANCE SEE ABOVE	