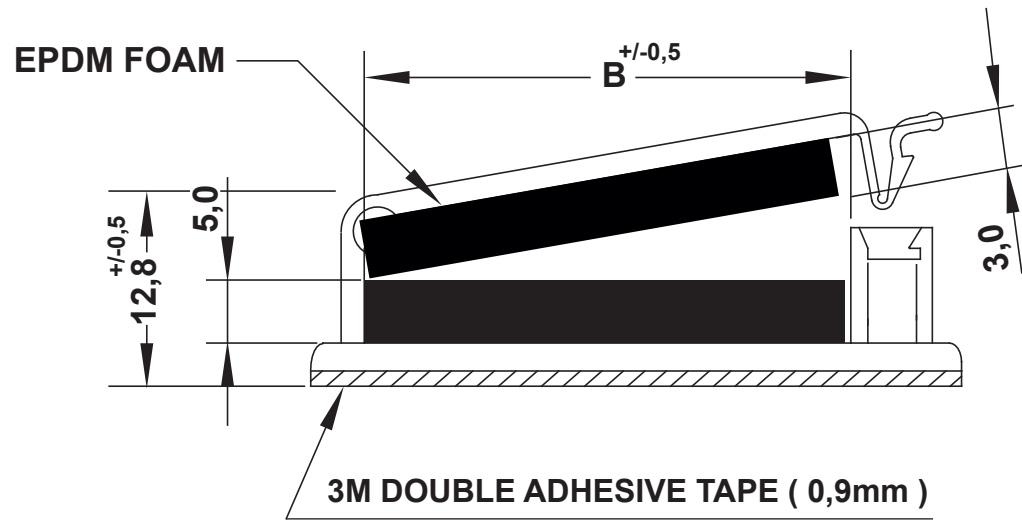
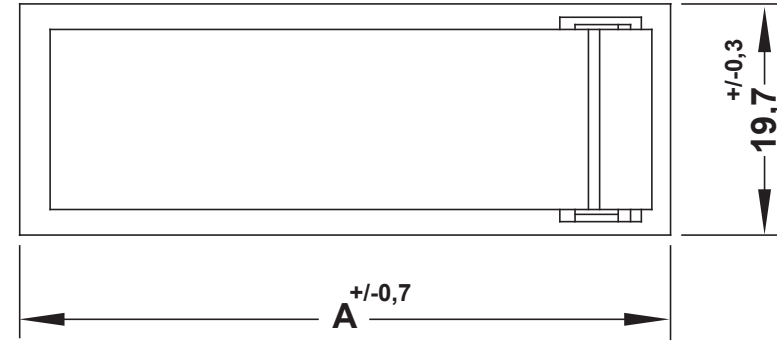


REVISIONS			
REV	DESCRIPTION	DATE	BY



P/N	A	B
8322AR00AS	54,0	40,0
8010AR00AS	77,6	64,0

	DESCRIPTION	TITLE: <b>FLAT CABLE HOLDER</b>	DWG UNIT: MM
MATERIAL:	PA66 V0(UL94)	Modelled in RHINO 4.0	FILE: DwN: 18/09/28.8XXX.0.E. ChkD:
COLOUR:	NATURAL	TOLLERANCES	SHEET: 1 OF 1 DT: 28/09/2018 Part Number: SEE TABLE
		DIN ISO 2768 m	SCALE: NTS
REV.			