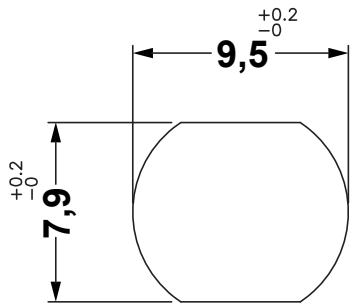
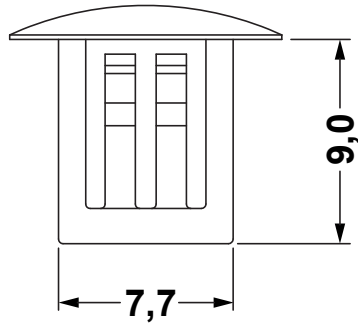
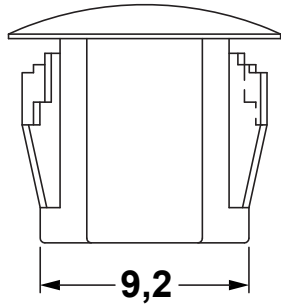
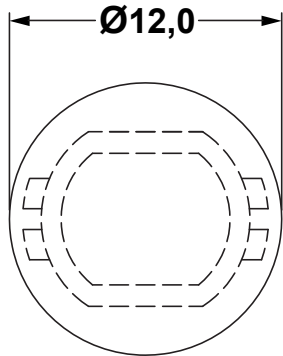


REVISIONS			
REV	DESCRIPTION	DATE	BY



THICKNESS 0,8 - 3,5



TITLE HOLE PLUGS		MATERIAL PA 66 V2(UL94)		DATE 10/02/2020	
		COLOR BLACK		DRAWN R.F.	
PART NUMBER 8370AA01		DRAWING NUMBER 20.02.10.8370.0.E		CHECK (blank)	
SIZE A4	SCALE 3:1	UNIT mm.	REV A	UNLESS OTHERWISE SPECIFIED TOLERANCE ± 0.3	
				APPROVED (blank)	