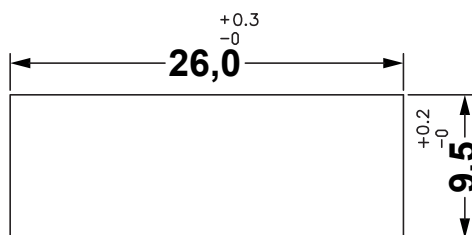
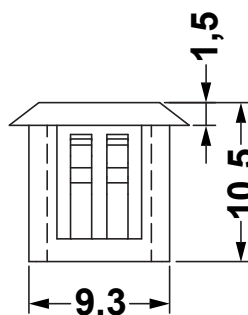
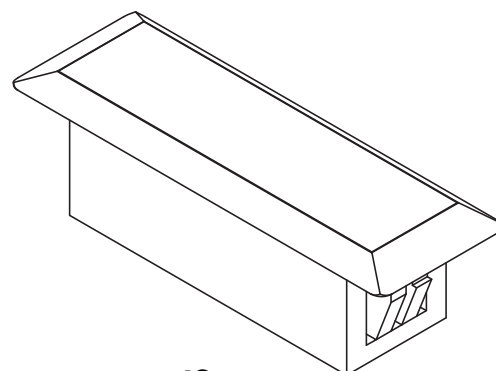
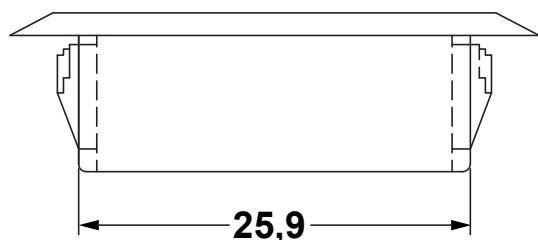
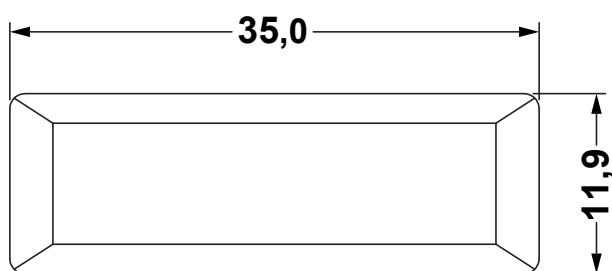


| DIM. | TOL |
|----------|------|
| 5mm DOWN | ±0.2 |
| 5~20mm | ±0.3 |
| 20~40mm | ±0.4 |
| 40~60mm | ±0.5 |
| 60~100mm | ±0.8 |
| 100mm UP | ±1.0 |

| REVISIONS | | | |
|-----------|-------------|------|----|
| REV | DESCRIPTION | DATE | BY |
| | | | |
| | | | |



MOUNTING HOLE THICKNESS 0,8 - 3,5

Component: H41834

F41938

E I DUPONT DE NEMOURS & CO INC

ENGINEERING POLYMERIS CHEMICAL MILWAUKEE WISCONSIN 53190

101(r9)(f1), 101F(r9)(f1), 101L(r9)(f1), E101(r9)(f1), E10L(r9)(f1)

Polyamide 66 (PA66), "Zytel", furnished as pellets

| Color | Min Thk (mm) | Flame Class | HWI | HAI | RTI Elec | RTI Imp | RTI Str |
|-------|--------------|-------------|-----|-----|----------|---------|---------|
| ALL | 0,75 | V-2 | 4 | 0 | 130 | 75 | 85 |
| | 1,5 | V-2 | 3 | 0 | 130 | 75 | 85 |
| | 3,0 | V-2 | 2 | 0 | 130 | 75 | 85 |
| | 6,0 | V-2 | 2 | 0 | 130 | 75 | 85 |

Comparative Tracking Index (CTI): 0
 Dielectric Strength (kV/mm): 13
 High Voltage Arc Tracking Rate (HVTR): 0
 Dimensional Stability (%):

Inherent Flame Tracking (FTI):
 Volume Resistivity (ohm-cm): 14
 High Volt. Low Current Arc Resis (DLDB): 6

(f1) - Suitable for outdoor use with respect to exposure to Ultraviolet Light, Water exposure and Immersion in accordance with UL 746C.

NOTE: (1) Material designations that are color pigmented may be followed by suffix letters and numbers. (2) Material designations may be suffixed by "Zytel" for Zytel or "Minlon" or "DEL" for Delrin or "CRA" for Crestin or "Rivin" for Rivin or "FEP" for FEP grades.

r9 - Virgin and reground (up to 50% by weight maximum) have the same basic material characteristics for ALL colors down to 0,25mm. For thicknesses 0,40mm to 0,70mm the same basic material characteristics exist with the exception of specific RTI's for all properties and Regrid exceeding 25% is limited to V-2 Flammability for WF, RD, BK.

ANSI/UL Criteria for use: Do not apply to building materials, fittings and related components. ANSI/UL 84 small-scale test data is intended as a guide for determining the suitability of plastic materials used in the above terms and parts of this product does not apply to areas where the acceptability of the component is determined by UL.

Report Date: 1996-07-28
 Last Rev. Date: 2010-07-27

© 2011 DuPont Performance Plastics Inc.



| TITLE | | HOLE PLUGS | |
|--------------------------------------|----------------|----------------|-------------------|
| MATERIAL | PA 66 V2(UL94) | DATE | 10/02/2020 |
| | | DRAWN | R.F. |
| COLOR | BLACK | CHECK | |
| PART NUMBER | 8371AA01 | DRAWING NUMBER | 20.02.10.8371.0.E |
| SIZE | A4 | SCALE | 2:1 |
| UNIT | mm. | REV | A |
| UNLESS OTHERWISE SPECIFIED TOLERANCE | | SEE ABOVE | |
| APPROVED | | | |