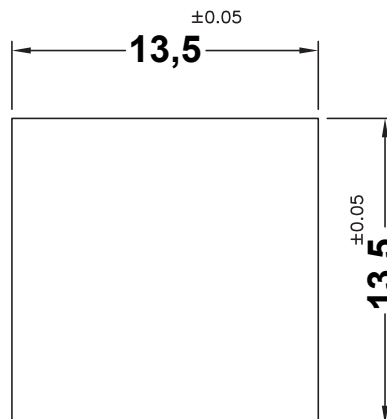
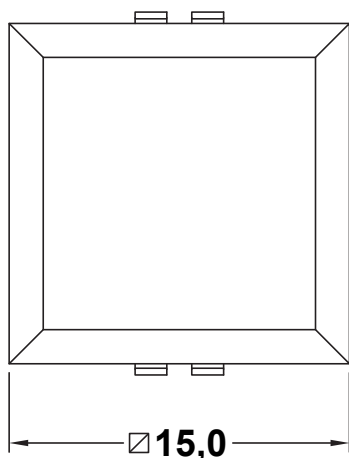
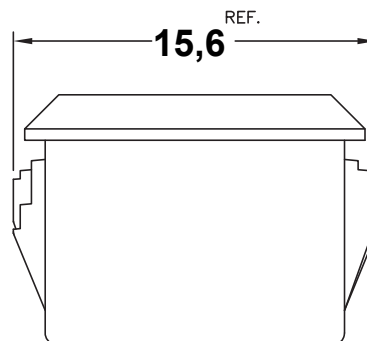
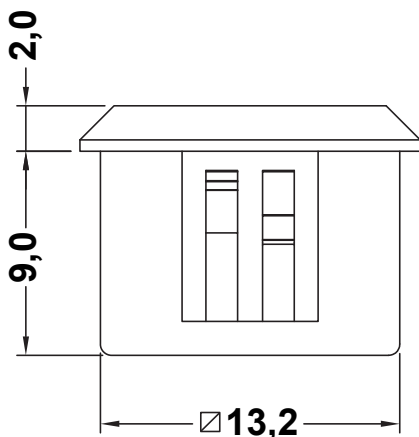


DIM.	TOL.
L ≤ 10	±0.2
10 < L ≤ 30	±0.3
30 < L ≤ 50	±0.5
50 < L ≤ 100	±0.7
100 < L ≤ 250	±1.2
ABOVE 250	±1.5

REVISIONS			
REV	DESCRIPTION	DATE	BY



**HOLE IN P.C.B**  
**THICKNESS: 0,7 - 1,2 - 1,6 - 2,7 - 3,8**



QMFZ2 Component - Plastics      Wednesda

E41938

**E I DUPONT DE NEMOURS & CO INC**  
 ENGINEERING POLYMERS CHESTNUT RUN PLAZA PO BOX 80713 WILMINGTON DE 19880  
 Material Designation: **101(+)(fl), 101F(+)(fl), 101L(+)(fl), E101(+)(fl), E101L(fl), 132F(+)(fl), 135F(+)(fl)**  
 Product Description: Polyamide 66 (PA66), designated "Zytel" furnished as pellets.

Color	Min. Thick. (mm)	Flame Class	HWI	HAI	RTI Elec	RTI Imp	RTI Str	IBC GWIT	IBC GWFI
ALL	0.71	V-2	4	0	130	75	85	725	960
	1.5	V-2	3	0	130	75	85	750	960
	3	V-2	2	0	130	75	85	800	960
	6	V-2	2	0	130	75	85	800	960

CTI: 0

HVTR: 0

D495: 6

Strength

(kN/mm<sup>2</sup>): 13

ISO Tensile

Strength (MPa):

ISO Tensile

Impact (kJ/m<sup>2</sup>):

-

Volume Resistivity (10<sup>10</sup> ohm-cm): 14

ISO Flexural Strength (MPa): -

ISO Izod Impact (kJ/m<sup>2</sup>): -

IBC Ball

Pressure (Cr): -

Dimensional

Stability (%): -

ISO Heat

Deflection (Cr):

ISO Charpy

Impact (kJ/m<sup>2</sup>): -

(+) Virgin and regrind up to 50% by weight inclusive, have the same basic material characteristics.



TITLE	
<b>HOLE PLUGS</b>	
MATERIAL	PA 66 V2(UL94)
DATE	13/02/2020
DRAWN	R.F.
COLOR	BLACK
CHECK	
UNLESS OTHERWISE SPECIFIED TOLERANCE	SEE ABOVE
APPROVED	

PART NUMBER		DRAWING NUMBER	
8373AA01		20.02.13.8373.0.E	
SIZE	SCALE	UNIT	REV
A4	NTS	mm.	A