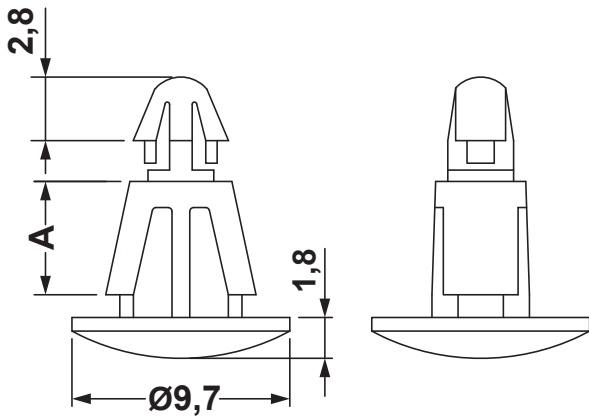


DIM.	TOL.
5mm DOWN	±0.2
5~20mm	±0.3
20~40mm	±0.4
40~60mm	±0.5
60~100mm	±0.8
100mm UP	±1.0

REVISIONS			
REV	DESCRIPTION	DATE	BY

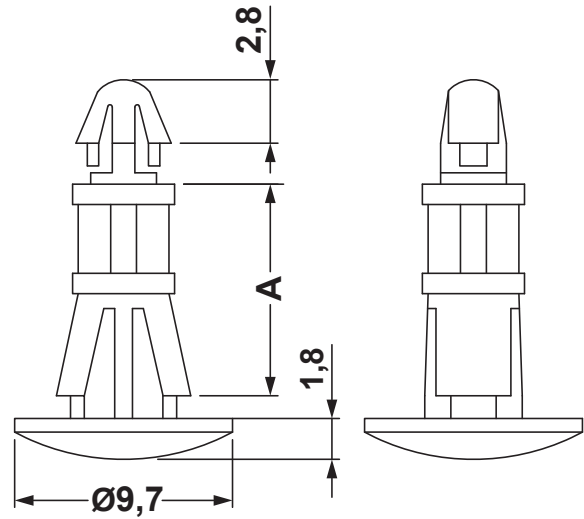
**HOLE IN P.C.B: Ø3,0
P.C.B THICKNESS:1,6**



**HOLE IN CHASSIS: Ø4,8
CHASSIS THICKNESS: 0,8 - 2,0**


PART NO.	A
11402AA0005.0	5.0
11402AA0006.3	6.3

**HOLE IN P.C.B: Ø3,0
P.C.B THICKNESS:1,6**



**HOLE IN CHASSIS: Ø4,8
CHASSIS THICKNESS: 0,8 - 2,0**

PART NO.	A
11402AA0008.0	8.0
11402AA0010.0	10.0
11402AA0012.7	12.7

				TITLE SPACER SUPPORT	
				MATERIAL PA66 V2(UL94)	DATE 14/03/2018
PART NUMBER SEE TABLE				DRAWN R.F.	
				DRAWING NUMBER 18.03.14.11402.0.E	
SIZE A4				COLOR NATURAL	
				CHECK	
SCALE NTS		UNIT mm.		UNLESS OTHERWISE SPECIFIED TOLERANCE SEE ABOVE	
REV A		APPROVED			