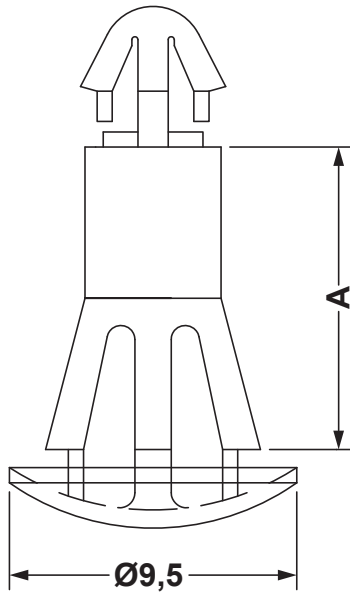


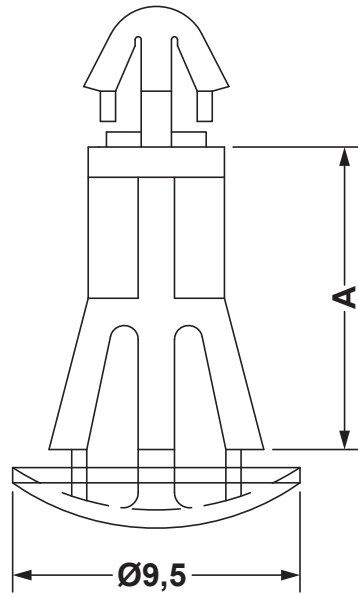
DIM.	TOL.
5mm DOWN	±0.2
5~20mm	±0.3
20~40mm	±0.4
40~60mm	±0.5
60~100mm	±0.8
100mm UP	±1.0

REVISIONS			
REV	DESCRIPTION	DATE	BY

**HOLE IN P.C.B: Ø3,5
P.C.B THICKNESS:1,6**



**HOLE IN P.C.B: Ø3,5
P.C.B THICKNESS:1,6**




**HOLE IN CHASSIS: Ø5,5
CHASSIS THICKNESS: 0,8 - 1,2**

PART NO.	A
11403AA0003.5	3.5
11403AA0004.8	4.8
11403AA0006.3	6.3
11403AA0007,0	7.0
11403AA0008,0	8.0

**HOLE IN CHASSIS: Ø5,5
CHASSIS THICKNESS: 0,8 - 1,2**

PART NO.	A
11403AA0010.0	10.0
11403AA0011.0	11.0
11403AA0012.7	12.7
11403AA0015.9	15.9

				TITLE SPACER SUPPORT	
				MATERIAL PA66 V2(UL94)	
PART NUMBER SEE TABLE				DRAWN R.F.	
DRAWING NUMBER 18.03.14.11403.0.E				CHECK	
SIZE A4		SCALE 4:1		COLOR NATURAL	
UNIT mm.		REV A		UNLESS OTHERWISE SPECIFIED TOLERANCE SEE ABOVE	
				APPROVED	