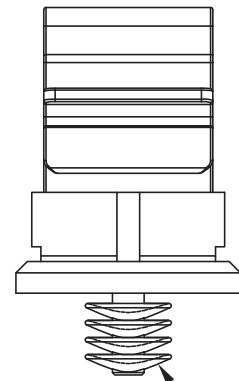
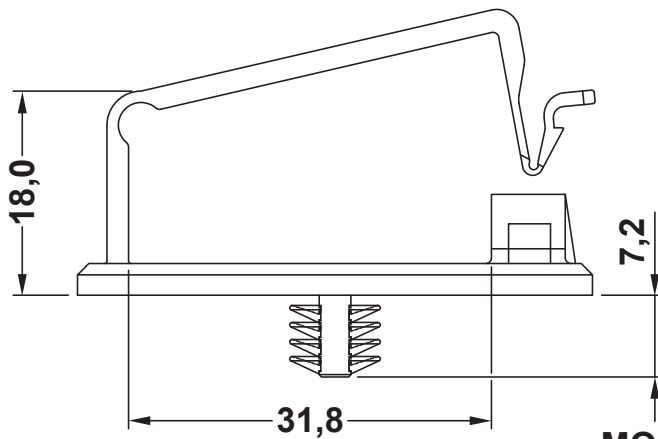
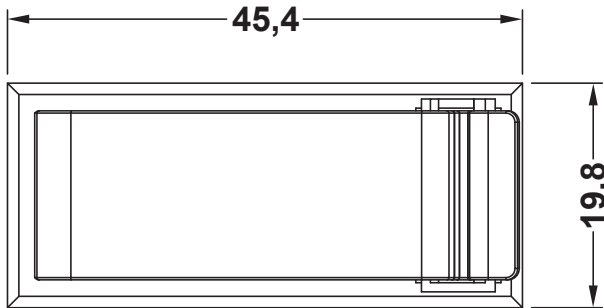



DIM.	TOL.
5mm DOWN	±0.2
5~20mm	±0.3
20~40mm	±0.4
40~60mm	±0.5
60~100mm	±0.8
100mm UP	±1.0

REVISIONS			
REV	DESCRIPTION	DATE	BY



MOUNTING HOLE Ø6,5 - 7,0
CHASSIS THICKNESS 0,8 - 3,0

				TITLE WIRE MOUNT	
				MATERIAL PA66 V2(UL94)	DATE 11/04/2018
PART NUMBER 12482AA00				DRAWN R.F.	
				COLOR NATURAL	
DRAWING NUMBER 18.04.11.12482.0.E		CHECK		APPROVED	
SIZE A4	SCALE NTS	UNIT mm.	REV A	UNLESS OTHERWISE SPECIFIED TOLERANCE SEE ABOVE	