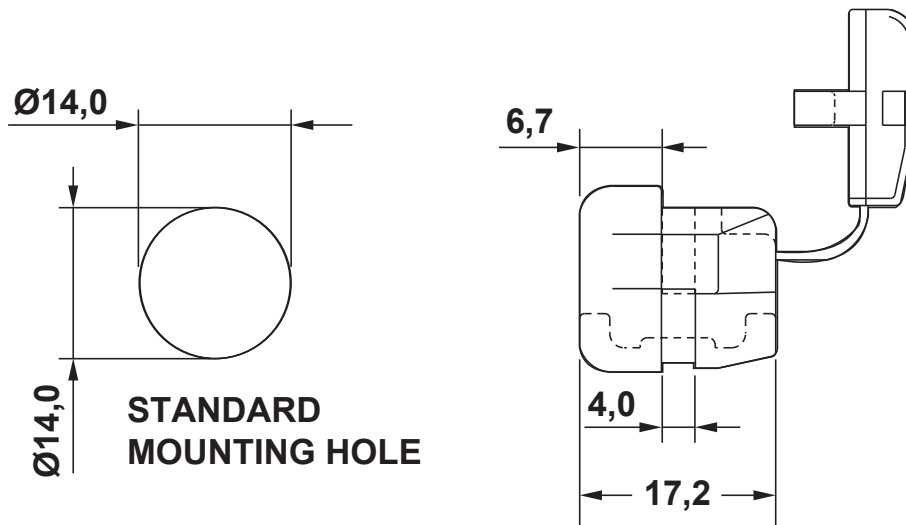



DIM.	TOL.
5mm DOWN	±0.2
5~20mm	±0.3
20~40mm	±0.4
40~60mm	±0.5
60~100mm	±0.8
100mm UP	±1.0

REVISIONS			
REV	DESCRIPTION	DATE	BY



NOTES:
PANEL THICKNESS: 4,0 mm

				TITLE CABLE CLAMPS FOR ROUND CABLES	
				MATERIAL PA66 V2(UL94)	
PART NUMBER 5749AA01				DRAWING NUMBER 18.04.27.5749.0.E	
COLOR BLACK				CHECK R.F.	
SIZE A4	SCALE NTS	UNIT mm.	REV A	UNLESS OTHERWISE SPECIFIED TOLERANCE SEE ABOVE	
				APPROVED	