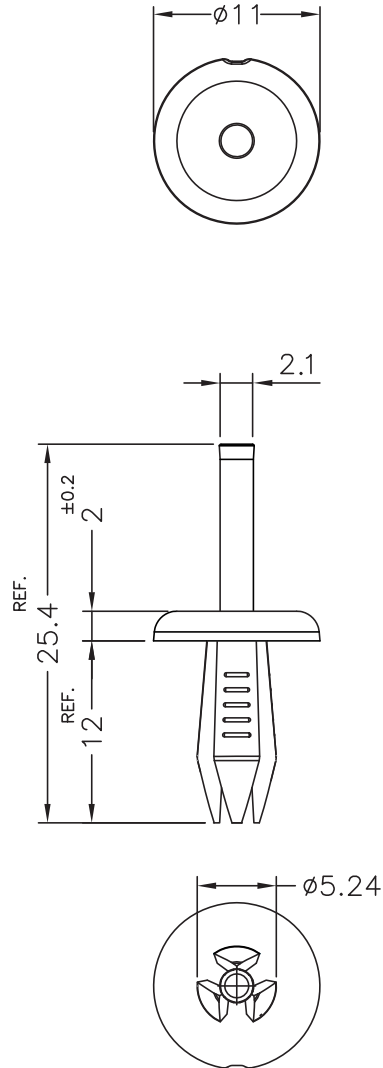


DIM.	TOL.
5mm DOWN	±0.2
5~20mm	±0.3
20~40mm	±0.4
40~60mm	±0.5
60~100mm	±0.8
100mm UP	±1.0

REVISIONS			
REV	DESCRIPTION	DATE	BY



MOUNTING HOLE $\phi 4\text{mm}$



		TITLE SNAP RIVET	
		MATERIAL NYLON 6 UL94V-2	DATE 15/09/2015
		DRAWN S.P.	
PART NUMBER 8281AA08		DRAWING NUMBER 15.09.15.8281.E	
COLOR BLUE		CHECK	
SIZE A4	SCALE 2:1	UNIT mm	REV A
UNLESS OTHERWISE SPECIFIED TOLERANCE SEE ABOVE		APPROVED	