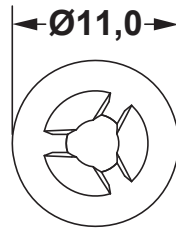
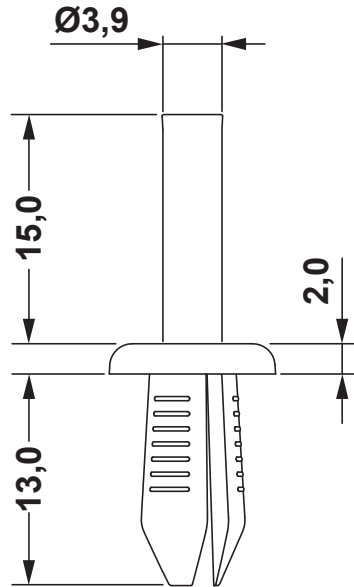



DIM.	TOL.
5mm DOWN	±0.2
5~20mm	±0.3
20~40mm	±0.4
40~60mm	±0.5
60~100mm	±0.8
100mm UP	±1.0

REVISIONS			
REV	DESCRIPTION	DATE	BY



**MOUNTING HOLE  $\text{Ø}6,0 - \text{Ø}6,4$**

				TITLE <b>SNAP RIVET</b>	
				MATERIAL PA66 V2(UL94)	DATE 27/02/2018
PART NUMBER 8289AA12				DRAWN R.F.	
DRAWING NUMBER 18.02.27.8289.0.E				CHECK	
COLOR ORANGE				APPROVED	
SIZE A4	SCALE 2:1	UNIT mm.	REV A	UNLESS OTHERWISE SPECIFIED TOLERANCE SEE ABOVE	