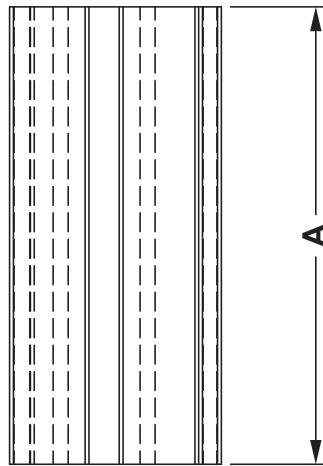
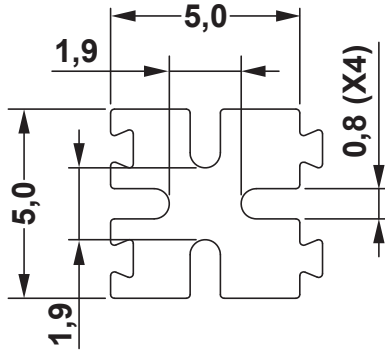
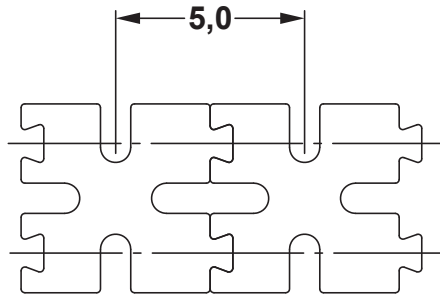


DIM.	TOL.
5mm DOWN	±0.2
5~20mm	±0.3
20~40mm	±0.4
40~60mm	±0.5
60~100mm	±0.8
100mm UP	±1.0


REVISIONS			
REV	DESCRIPTION	DATE	BY



P/N	A
11496AA0103.0	3.0
11496AA0104.0	4.0
11496AA0105.0	5.0
11496AA0106.0	6.0
11496AA0107.0	7.0
11496AA0108.0	8.0
11496AA0109.0	9.0
11496AA0109.5	9.5
11496AA0110.0	10.0
11496AA0111.0	11.0
11496AA0112.0	12.0
11496AA0113.0	13.0
11496AA0114.0	14.0
11496AA0115.0	15.0
11496AA0116.0	16.0
11496AA0117.0	17.0
11496AA0118.0	18.0
11496AA0119.0	19.0
11496AA0120.0	20.0



THE PRODUCTS NEED TO COOPERATE CLOSELY WHILE USING

				TITLE LED SPACER SUPPORT	
				MATERIAL PA66 V2(UL94)	DATE 08/05/2018
PART NUMBER SEE TABLE		DRAWING NUMBER 18.05.08.11496.0.E		COLOR BLACK	DRAWN R.F.
SIZE A4	SCALE NTS	UNIT mm.	REV A	UNLESS OTHERWISE SPECIFIED TOLERANCE SEE ABOVE	CHECK APPROVED