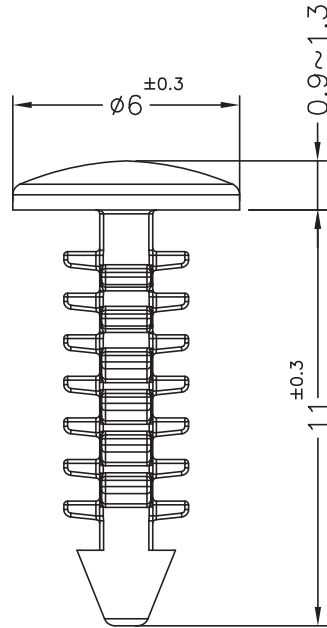
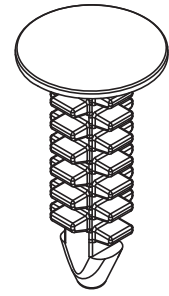



DIM.	TOL.
5mm DOWN	±0.2
5~20mm	±0.3
20~40mm	±0.4
40~60mm	±0.5
60~100mm	±0.8
100mm UP	±1.0

REVISIONS			
REV	DESCRIPTION	DATE	BY



MOUNTING HOLE: $\phi 2.7 \sim \phi 3.3$
 THICKNESS: 1.5~8.0mm

P/N	COLOUR
11599AA00	NATURAL
11599AA01	BLACK

				TITLE SNAP RIVET	
				MATERIAL PA 6 V2(UL94)	DATE 24/05/2018
PART NUMBER SEE TABLE				DRAWN R.F.	
				DRAWING NUMBER 18.05.24.11599.0.E	
SIZE A4	SCALE 5:1	UNIT mm.	REV A	UNLESS OTHERWISE SPECIFIED TOLERANCE SEE ABOVE	
				CHECK	
				APPROVED	